



Superior Clamping and Gripping



Product data sheet

Gripper for small components EGK

Process-reliable. Flexible. Intelligent.

Flexible gripper for small components EGK

Versatile 2-finger gripper for small components for maximum workpiece variety with maximum process reliability

Field of application

Flexible handling of printed circuit boards in electronics manufacturing, sample and tray handling in laboratory automation, and universal workpiece handling. Particularly suitable for filigree and fracture-sensitive workpieces due to low impulse forces. Use in clean to lightly soiled work environments with contamination from dust or liquids.

Advantages – Your benefits

Versatile and productive due to the large and freely programmable jaw stroke with continuous gripping force adjustment for flexible workpiece handling

Reliable and sensitive Particularly suitable for the requirements of laboratory automation and electronics production due to the sealed design and smooth-running profiled rail guide

Maximum process reliability by avoiding workpiece loss due to integrated gripping force maintenance with loss detection

Always referenced both with an emergency stop and a power failure due to integrated absolute encoder

100% gripping force without start-up distance with constant gripping force over the entire finger length due to integrated spur gear

Minimal integration effort compatible with the leading manufacturers on the market due to a wide range of communication interfaces, as well as PLC function blocks and robot plug-ins



Sizes
Quantity: 3

m

Weight
0.58 .. 1.63 kg



Gripping force
50 .. 300 N

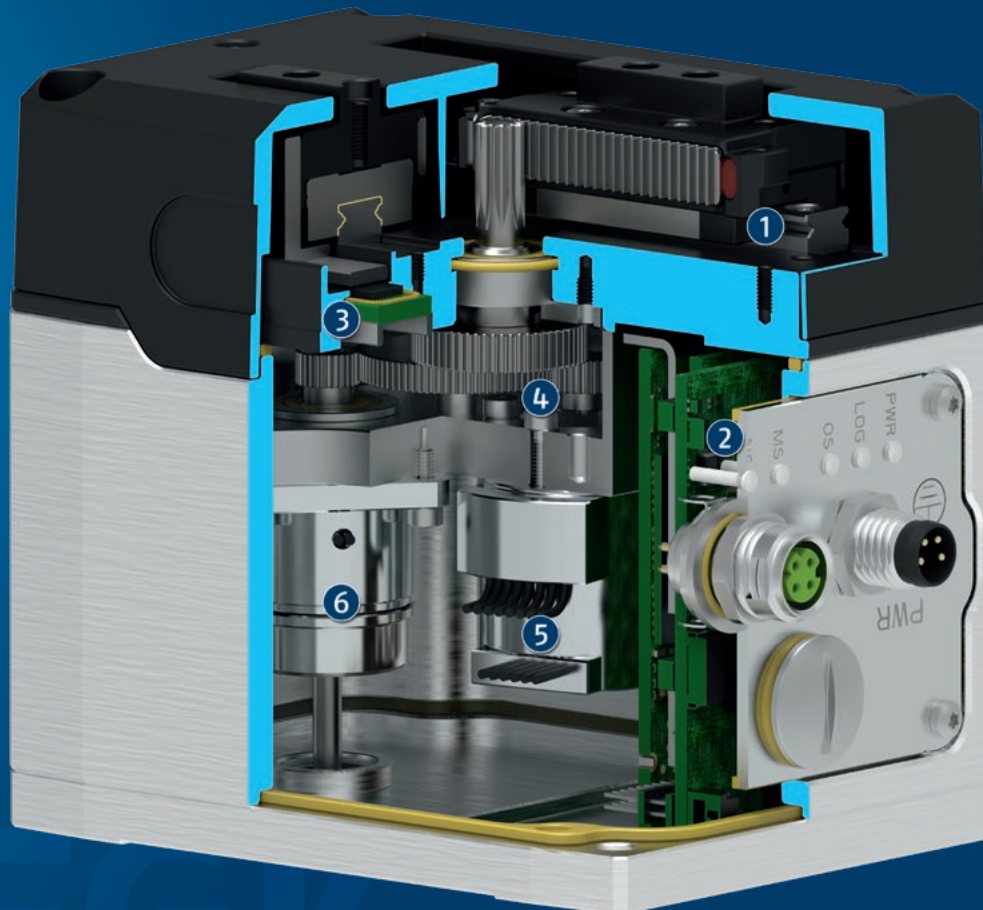


Stroke per jaw
26.5 .. 51.5 mm

Functional description

The user has access to the highest level of functionality due to the components embedded in the gripper. This allows the gripper fingers to be pre-positioned at high speed or for dipping into a workpiece holder. The gripping force can be continuously adjusted to the workpiece handling requirement. Workpiece recognition enables full process transparency for the user. In an emergency stop situation, workpiece loss can be avoided due to the integrated gripping force maintenance.

The BasicGrip and SoftGrip gripping modes are available. With BasicGrip and SoftGrip, continuous operation of the motor and thus permanent re-gripping of the workpiece is possible. The gripping speed is automatically optimized to the gripping force setting with BasicGrip. With SoftGrip, fracture-sensitive workpieces can be gripped particularly gently by reducing the impulse forces to a minimum when they hit the workpiece.



- ① **Smooth profiled rail guidance**
with stainless steel front seal and food-compliant lubrication and cover made from resistant polycarbonate.
- ② **Fully integrated and sealed control and power electronics**
with status LEDs and M8 plug connectors for connecting the voltage supply and communication.
- ③ **High-resolution, output-side absolute encoder**
for precise positioning of the gripper jaws with permanent absolute position feedback.
- ④ **Sealed drive train with spur gear and pinion/rack principle**
for a constantly acting gripping force over the entire finger length, without a minimum approach distance.
- ⑤ **Brushless flat motor**
for limited space and high torques due to external rotor.
- ⑥ **Electromagnetic brake**
with additional mechanism for maintaining gripping force and position during standstill or power failure.

Detailed functional description

Connectivity



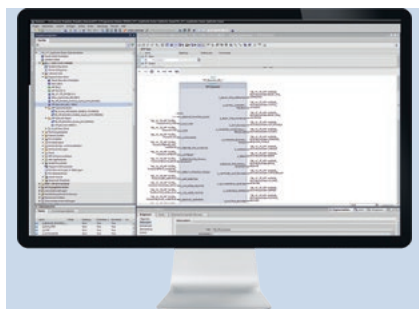
A wide range of available communication interfaces simplifies handling with a wide variety of control and robot manufacturers and ensures time savings during integration. Industrial Ethernet (PROFINET, EtherCAT, EtherNet/IP) enables direct integration without additional gateways into the control environment of leading PLC manufacturers on the market. With the Modbus RTU serial interface, the gripper can be connected to the tool flange of leading robot manufacturers without external cable routing. IO-Link is independent and offers flexibility in connecting to other networks.

Software Service – Robot integration



For seamless interaction between gripper and robot, software modules for integration into the robot control system of leading manufacturers are available. This means that the gripper's range of functions can be used directly without any additional programming effort and programming of the application can be started immediately. Robot compatibility: Universal Robots e-Series via Modbus RTU, FANUC CRX via Modbus RTU, ABB OmniCore C30 via EtherNet/IP, YASKAWA YRC1000micro via EtherNet/IP. Software and other compatibility notes can be downloaded at schunk.com/egu-software.

Software Service – PLC integration



For seamless interaction between gripper and PLC control, function modules for the programming interface of leading manufacturers is available. This means that the gripper's range of functions can be used directly without any additional programming effort and programming of the application can be started immediately. PLC compatibility: Siemens TIA Portal (PROFINET and IO-Link), Beckhoff TwinCAT (EtherCAT and IO-Link), Allen Bradley Studio 5000 Logix Designer (EtherNet/IP and IO-Link). Software and other compatibility notes can be downloaded at schunk.com/egu-software.

Commissioning app in the SCHUNK control center



The mechatronic grippers app simplifies commissioning, operation, diagnostics and service thanks to an extensive catalog of functions. Users can control the gripper directly and perform application validation without the need for a PLC. The functions include network configuration, firmware updates, parameter adjustments and backups as well as comprehensive diagnostic options. The app is compatible with Windows and can be downloaded at schunk.com/downloads-software.

General notes about the series

Housing material: Aluminum alloy, anodized

Base jaw material: hard-anodized, high strength aluminum

Warranty: 24 months or 5 million cycles (one cycle consists of a complete gripping process: "Open gripper" and "Close gripper")

Scope of delivery: Gripper including safety information and accessory kit with centering sleeves for gripper and finger mounting. Product-specific instructions and software can be downloaded at schunk.com/downloads-manuals and schunk.com/downloads-software.

Gripping force: is the arithmetic sum of the individual force applied to each jaw at distance P (see illustration).

Repeat accuracy (gripping): defined as the spread of the actual position during 100 consecutive closing or opening movements on a rigid workpiece or a fixed workpiece stop under constant conditions.

Repeat accuracy (positioning, unidirectional): defined as the spread of the actual position per base jaw during 100 consecutive movements to a target position from the same direction under constant conditions.

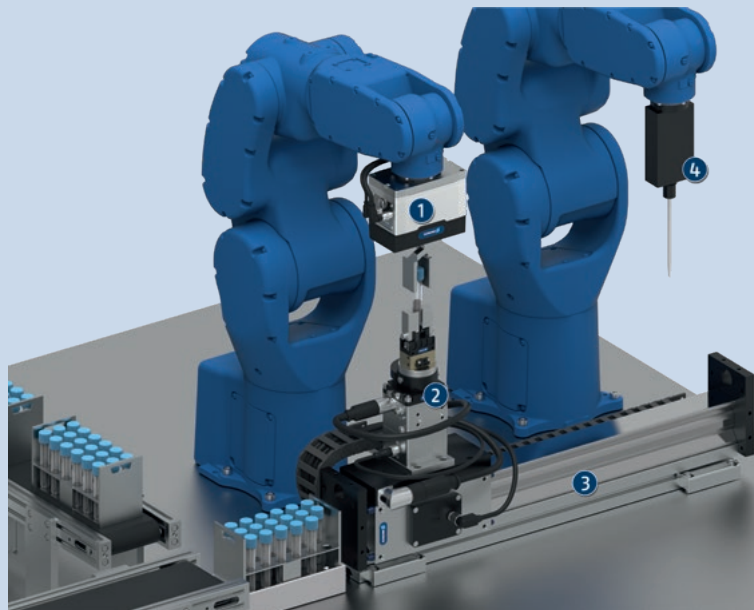
Repeat accuracy (positioning, bi-directional): defined as the distribution of the actual position per base jaw during 100 consecutive movements to a target position from both directions under constant conditions.

Finger length: is measured from the reference surface as the distance P in direction to the main axis.

Positioning accuracy: is defined as the deviation of the actual position per jaw during 100 consecutive, unidirectional positioning movements to a defined position under constant conditions.

Closing and opening times (positioning): Closing and opening times are only the movement times of the fingers at max. speed, as well as max. acceleration with observance of the max. permissible mass per finger and refer to the traverse path per jaw and 50% of the nominal stroke.

Max. speed (positioning) and max. acceleration: is the arithmetic sum of the velocity and acceleration acting on each jaw.



Application example

Flexible laboratory automation with automated sample evaluation. The servo-electric gripper handles trays and sample vials. Unscrewing takes place in an unscrewing station while the gripper holds the lid in place. After the lid is opened, the sample vials are fed to the pipetting unit and the sample is taken.

- ❶ Gripper for small components, electric EGK for tray and specimen handling
- ❷ Unscrewing station with gripper for small components MPG-plus and rotary drive ERD
- ❸ Horizontal traversing axis LDN
- ❹ Pipetting unit

SCHUNK offers more ...

The following components make the product even more productive – the suitable addition for the highest functionality, flexibility, reliability, and controlled production.



Power cable



Communication cables



Intermediate jaw



Robot adaptation kits



Customizable gripper fingers



Finger blank



Jaw quick-change system

① For more information on these products can be found on the following product pages or at [schunk.com](https://www.schunk.com).

Options and special information

Gripping modes: The BasicGrip and SoftGrip gripping modes are available. With BasicGrip and SoftGrip, continuous operation of the motor and thus permanent re-gripping of the workpiece is possible. The gripping speed is automatically optimized to the gripping force setting with BasicGrip. With SoftGrip, fracture-sensitive workpieces can be gripped particularly gently by reducing the impulse forces to a minimum when they hit the workpiece.

Gripping force maintenance: In the event of an emergency stop or a voltage drop, more than 75% of the originally applied gripping force can be reliably maintained due to a combination of an electric holding brake and the initial tension of the elastic element. If the gripping force and position maintenance is activated preventatively, 90% of the originally applied gripping force can be maintained. Overrun of the gripper fingers when removing the workpiece is a few millimeters and depends on the gripping force generated. Variants without gripping force maintenance are also available as an option.

Seal: The gripper comes standard with enhanced protection against the ingress of dust or liquids. The IP protection of the electronics is only given if the plug connectors have been mounted properly. The gearbox of the gripper is additionally protected by a seal on the output pinions.

Interface of the base jaws: When using the intermediate jaw, the interface of the base jaws corresponds to that of the universal gripper PGN-plus-P. This means that the extensive range of finger accessories for the PGN-plus-P can also be used for this gripper, taking into account the interfering contours, and the application limits that apply.

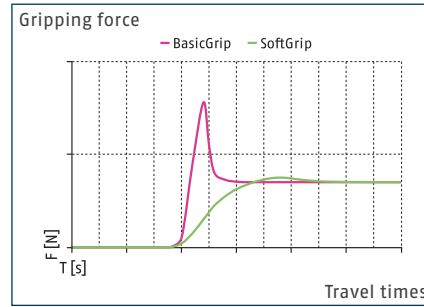
Food-grade lubrication: The product contains food-compliant lubricants as standard. The requirements of standard EN 1672-2:2020 are not fully met. The relevant NSF certificates are available at <https://info.nsf.org/USDA/Listings.asp> using the lubricant information in the operating manual. Components such as rolling bearings, linear guides, or shock absorbers are not provided with food-compliant lubricants.

Ordering example

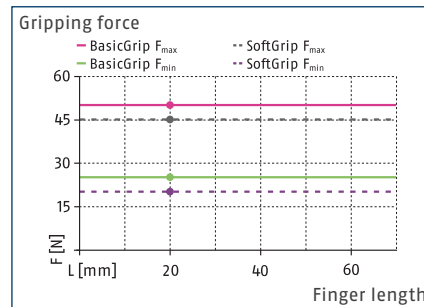
	EGK	25	-	PN	-	M	-	B
Description	EGK							
Size	25 40 50							
Communication interface	PN = PROFINET EI = EtherNet/IP EC = EtherCAT IL = IO-Link MB = Modbus RTU							
Gripping force maintenance	M = with gripping force maintenance N = without gripping force maintenance							
Version	B = Basic version							



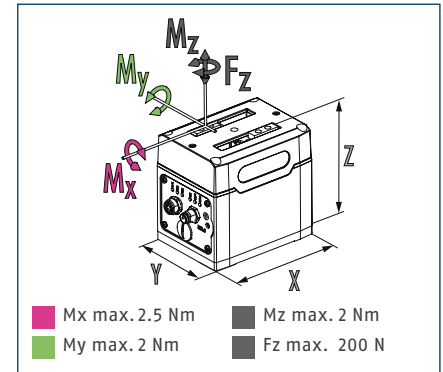
Gripping modes



Gripping force



Dimensions and maximum loads

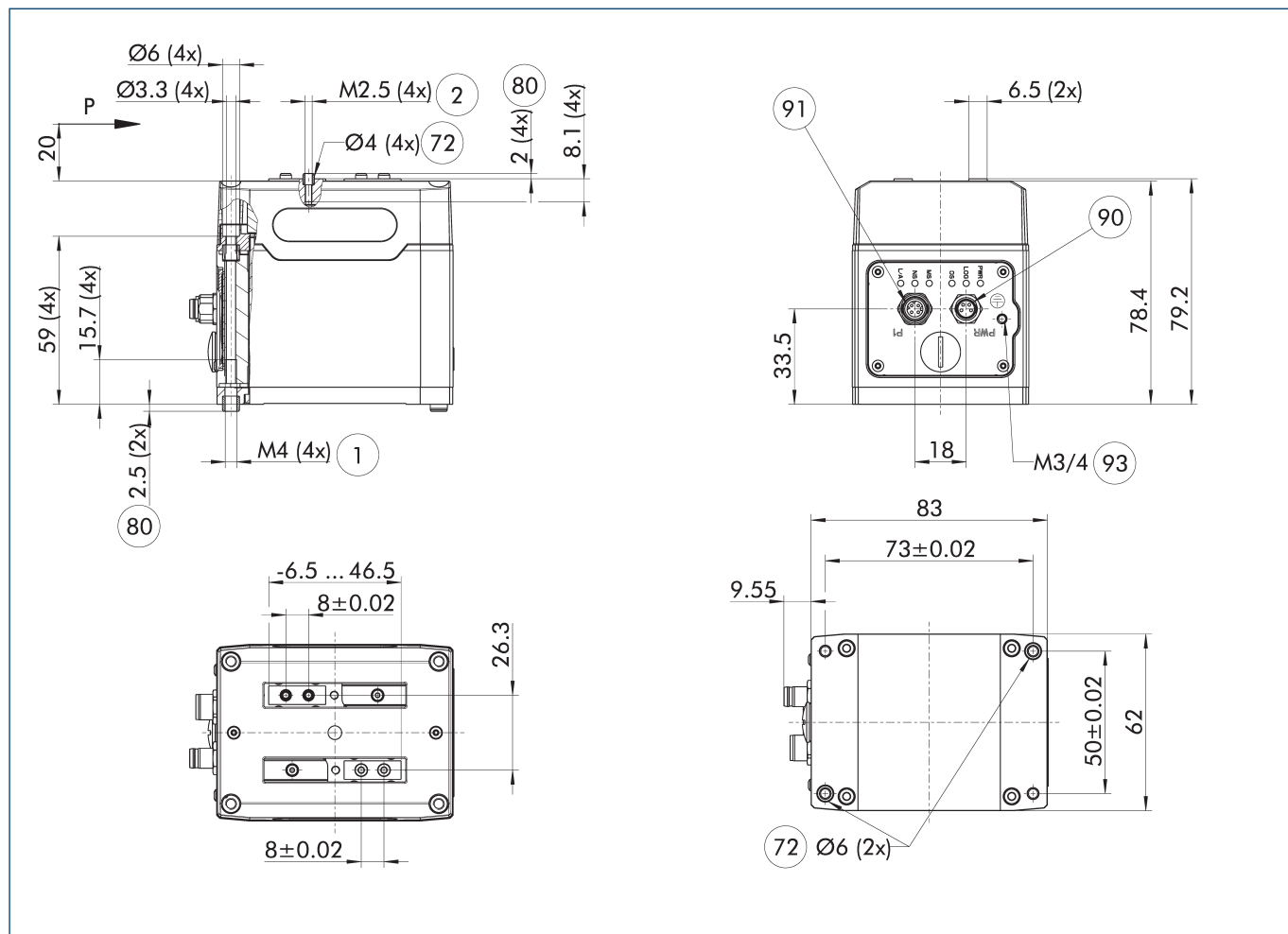


① The indicated moments and forces are static values, apply for each base jaw and may appear simultaneously. Loads may additionally occur to the moment produced by the gripping force itself.

Technical data

Description		EGK 25-PN-M-B	EGK 25-EI-M-B	EGK 25-EC-M-B	EGK 25-IL-M-B	EGK 25-MB-M-B
ID		1491752	1491754	1491756	1491748	1491750
General operating data						
Stroke per jaw	[mm]	26.5	26.5	26.5	26.5	26.5
Min./max. gripping force	[N]	20/50	20/50	20/50	20/50	20/50
Min./max. gripping force maintenance	[%]	75/90	75/90	75/90	75/90	75/90
Max. permissible finger length	[mm]	70	70	70	70	70
Max. permissible weight per finger	[kg]	0.13	0.13	0.13	0.13	0.13
Positioning accuracy	[mm]	±0.1	±0.1	±0.1	±0.1	±0.1
Repeat accuracy (gripping)	[mm]	0.03	0.03	0.03	0.03	0.03
Repeat accuracy (positioning, unidirectional)	[mm]	0.1	0.1	0.1	0.1	0.1
Repeat accuracy (positioning, bi-directional)	[mm]	0.15	0.15	0.15	0.15	0.15
Closing/opening time (positioning, 50% stroke)	[s]	0.37/0.37	0.37/0.37	0.37/0.37	0.37/0.37	0.37/0.37
Max. speed (positioning)	[mm/s]	120	120	120	120	120
Max. acceleration	[mm/s ²]	1300	1300	1300	1300	1300
Weight	[kg]	0.62	0.62	0.62	0.62	0.62
Min./max. ambient temperature	[°C]	5/55	5/55	5/55	5/55	5/55
IP protection class, electronics		67	67	67	67	67
IP protection class guide/base jaws		20	20	20	20	20
Cleanroom class ISO 14644-1:2015		5	5	5	5	5
Electrical operating data						
Nominal voltage	[V]	24	24	24	24	24
Communication interface		PROFINET	EtherNet/IP	EtherCAT	IO-Link	Modbus RTU
Power nominal/max. current consumption	[A]	0.23/0.54	0.23/0.54	0.23/0.54	0.23/0.54	0.23/0.54
Logic nominal/max. current consumption	[A]	0.16/0.2	0.16/0.2	0.16/0.2	0.16/0.2	0.16/0.2
Options and their characteristics						
Version without gripping force maintenance		1491753	1491755	1491757	1491749	1491751
Weight	[kg]	0.58	0.58	0.58	0.58	0.58
Power nominal/max. current consumption	[A]	0.23/0.54	0.23/0.54	0.23/0.54	0.23/0.54	0.23/0.54

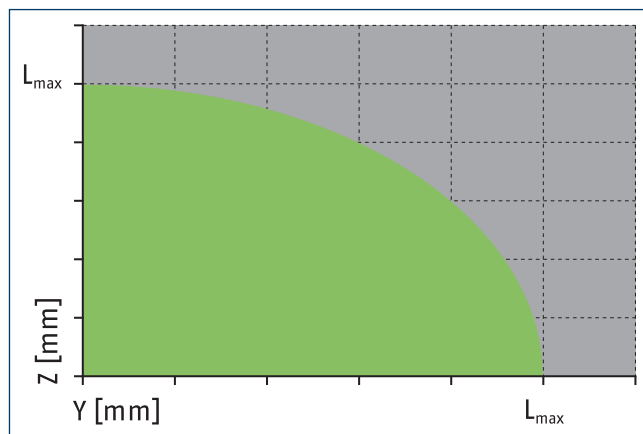
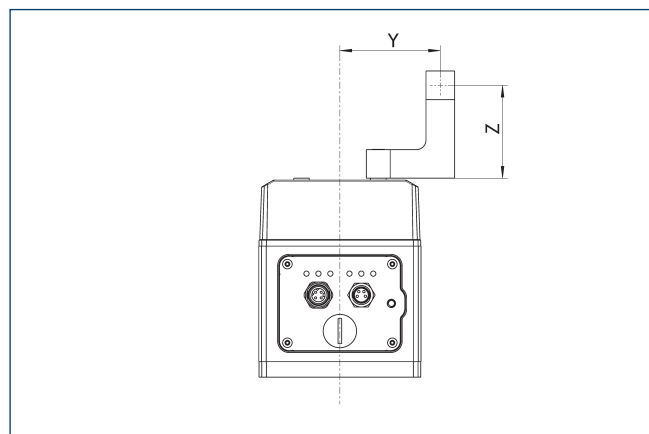
Main view



The drawing shows the gripper in PROFINET, EtherNet/IP or EtherCAT version, with and without gripper force maintenance with opened jaws.

- ① Gripper connection
- ② Finger connection
- ⑦② Fit for centering sleeves
- ⑧② Depth of the centering sleeve hole in the counter part
- ⑨② Voltage supply (M8, connector, 4 pin, A-coded)
- ⑨① Communication (M8, socket, 4 pin, D-coded)
- ⑨③ Functional ground connection

Maximum permitted finger projection

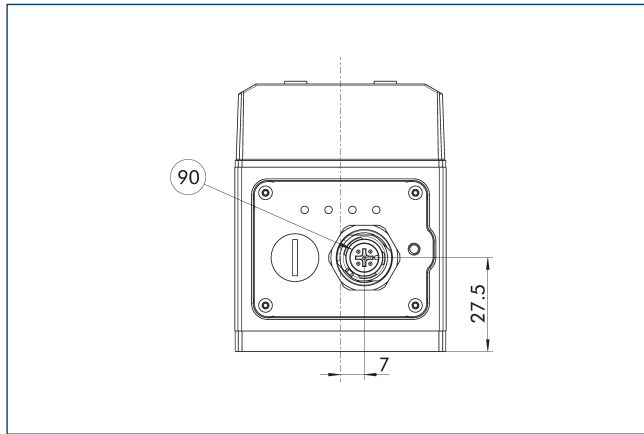


■ Permitted range ■ Inadmissible range
 L_{max} is equivalent to the maximum permitted finger length, see the technical data table.

EGK 25

Gripper for small components

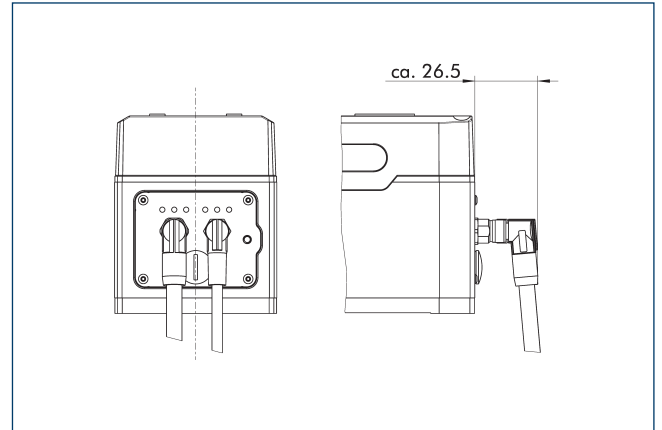
I0-Link and Modbus RTU version



90 Voltage supply and communication (M12, connector, A-coded, IL: 5 pin, MB: 4 pin)

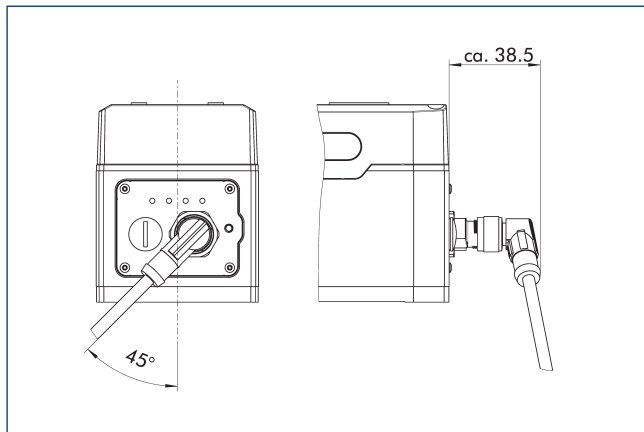
The drawing shows the changes in dimension of the I0-Link and Modbus RTU versions compared to the basic version found in the main view.

Angled plug connectors for PROFINET, EtherNet/IP and EtherCAT version



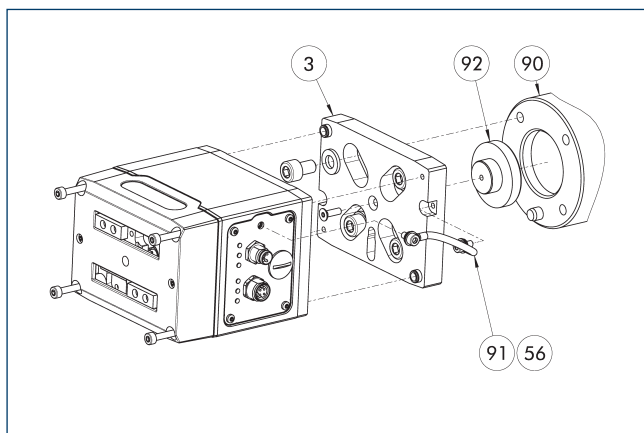
The drawing shows the direction of the cable outlet when using angled connectors. The distance from the plug connector to the gripper housing may vary depending on the cable manufacturer used.

Angled plug connectors for I0-Link and Modbus RTU version



The drawing shows the direction of the cable outlet when using angled connectors. The distance from the plug connector to the gripper housing may vary depending on the cable manufacturer used.

Robot adaptation packages single gripper

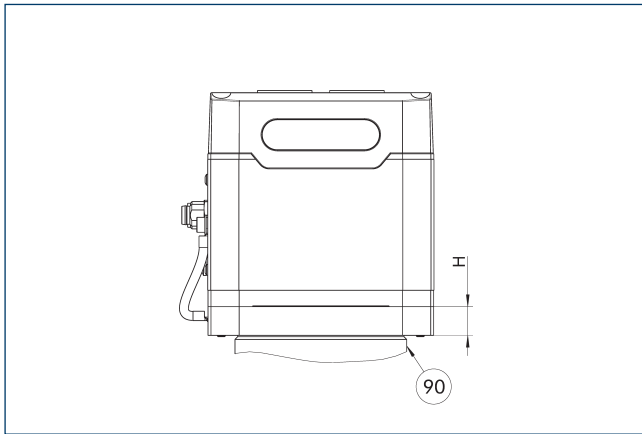


- ③ Adapter
- ⑤⑥ Included in the scope of delivery
- ⑨⑩ Robot flange
- ⑨① Cable functional ground
- ⑨② Centering disc

Robot adaptation packages for single grippers contain all components required to mechanically adapt the gripper to the desired robot flange. Depending on the flange pattern, suitable screws, centering pins and the centering collar are included.

Description	ID	Height	DIN ISO-9409 bolt circle	Manufacturer	Model
		[mm]	[mm]		
Adapter					
AKO EGK25/ GP4	1524716	11		YASKAWA	GP4
AKO EGK25/ GP7,8	1524717	11		YASKAWA	GP7, GP8
AKO EGK25/ ISO31.5	1524689	11	31.5	ABB	SWIFTI CRB1100, IRB1100, IRB1200
AKO EGK25/ ISO40	1524690	11	40	ABB	IRB1300
AKO EGK25/ ISO50	1524715	11	50	ABB	GoFa CRB15000
AKO EGK25/ ISO50	1524715	11	50	FANUC	CRX-5iA, CRX-10iA, CRX-20iA, CRX-25iA
AKO EGK25/ ISO50	1524715	11	50	Kassow Robots	
AKO EGK25/ ISO50	1524715	11	50	Universal Robots	UR3e, UR5e, UR10e, UR16e
AKO EGK25/ ISO50	1524715	11	50	YASKAWA	HC10DTP, HC20DTP

Robot adaptation packages single gripper

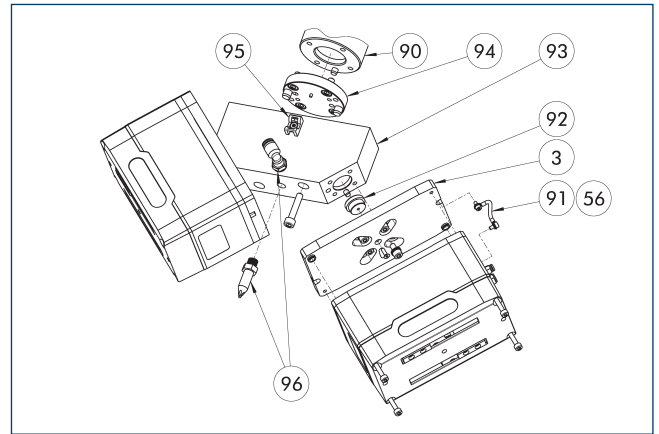


90 Robot flange

The single-piece design enables a flat construction of the entire system. The adapter is manufactured from blank aluminum. The listed robot manufacturers with their associated models constitute useful recommendations taking the total mass into account. SCHUNK nevertheless recommends that the payload of the robot will be considered in detail.

Description	ID	Height	DIN ISO-9409 bolt circle	Manufacturer	Model
		[mm]	[mm]		
Adapter					
AKO EGK25/ GP4	1524716	11		YASKAWA	GP4
AKO EGK25/ GP7,8	1524717	11		YASKAWA	GP7, GP8
AKO EGK25/ ISO31.5	1524689	11	31.5	ABB	SWIFTI CRB1100, IRB1100, IRB1200
AKO EGK25/ ISO40	1524690	11	40	ABB	IRB1300
AKO EGK25/ ISO50	1524715	11	50	ABB	GoFa CRB15000
AKO EGK25/ ISO50	1524715	11	50	FANUC	CRX-5iA, CRX-10iA, CRX-20iA, CRX-25iA
AKO EGK25/ ISO50	1524715	11	50	Kassow Robots	
AKO EGK25/ ISO50	1524715	11	50	Universal Robots	UR3e, UR5e, UR10e, UR16e
AKO EGK25/ ISO50	1524715	11	50	YASKAWA	HC10DTP, HC20DTP

Robot adaptation packages double gripper

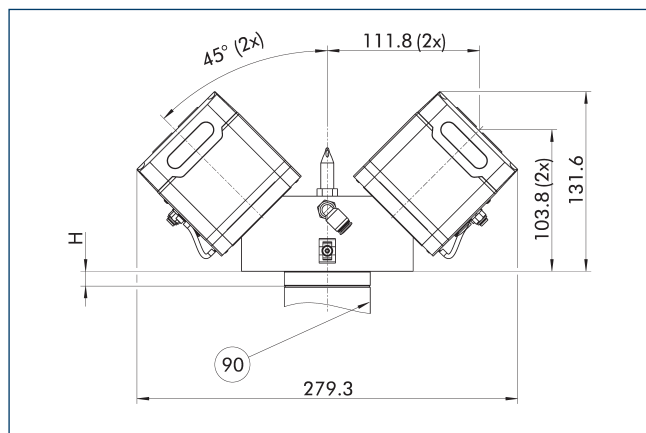


- 3 Adapter
- 56 Included in the scope of delivery
- 90 Robot flange
- 91 Cable functional ground
- 92 Centering collar gripper
- 93 angle adapter
- 94 Adapter robot
- 95 Cable holder (included in the scope of delivery of the cable package)
- 96 Attachment set blow-off nozzle

Robot adaptation packages for double grippers contain all components required to mechanically adapt two grippers to the desired robot flange. Depending on the flange pattern, suitable screws, centering pins and centering material are included in the delivery. A short or long blow-off nozzle can be added as an option.

Description	ID	Height	DIN ISO-9409 bolt circle	Manufacturer	Model
		[mm]	[mm]		
Adapter					
AKO 2xEGK25/ GP12	1524778	15.8		YASKAWA	GP12
AKO 2xEGK25/ GP7,8	1524777	8.9		YASKAWA	GP7, GP8
AKO 2xEGK25/ ISO31.5	1524773	9.9	31.5		
AKO 2xEGK25/ ISO40	1524774	10.8	40		
AKO 2xEGK25/ ISO50	1524776	10.8	50	ABB	GoFa CRB15000
AKO 2xEGK25/ ISO50	1524776	10.8	50	FANUC	CRX-5iA, CRX-10iA, CRX-20iA, CRX-25iA
AKO 2xEGK25/ ISO50	1524776	10.8	50	Kassow Robots	
AKO 2xEGK25/ ISO50	1524776	10.8	50	Universal Robots	UR5e, UR10e, UR16e
AKO 2xEGK25/ ISO50	1524776	10.8	50	YASKAWA	HC10DTP, HC20DTP
Attachment set blow-off nozzle (short)	1524788				

Robot adaptation packages double gripper



90 Robot flange

The adapter is manufactured from blank aluminum. The listed robot manufacturers with their associated models constitute useful recommendations taking the total mass into account. SCHUNK nevertheless recommends that the payload of the robot will be considered in detail.

Description	ID	Height	DIN ISO-9409 bolt circle	Manufacturer	Model
		[mm]	[mm]		
Adapter					
AKO 2xEGK25/ GP12	1524778	15.8		YASKAWA	GP12
AKO 2xEGK25/ GP7,8	1524777	8.9		YASKAWA	GP7, GP8
AKO 2xEGK25/ ISO31.5	1524773	9.9	31.5		
AKO 2xEGK25/ ISO40	1524774	10.8	40		
AKO 2xEGK25/ ISO50	1524776	10.8	50	ABB	GoFa CRB15000
AKO 2xEGK25/ ISO50	1524776	10.8	50	FANUC	CRX-5iA, CRX-10iA, CRX-20iA, CRX-25iA
AKO 2xEGK25/ ISO50	1524776	10.8	50	Kassow Robots	
AKO 2xEGK25/ ISO50	1524776	10.8	50	Universal Robots	UR5e, UR10e, UR16e
AKO 2xEGK25/ ISO50	1524776	10.8	50	YASKAWA	HC10DTP, HC20DTP

Robot-specific connection cables

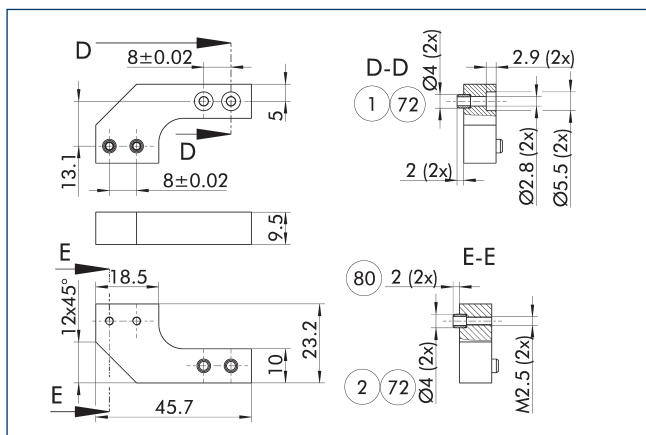


Connection cables and connection cable kits for electrical connection to specific robot models and controllers. Depending on the manufacturer, a direct connection to the tool flange is possible or external cabling is required. In combination with mechanical adapters and software modules, this allows commissioning on the robot to be carried out in just a few steps. Cables for external cable routing are designed to withstand torsion.

Description	ID	Manufacturer	Series	Model	Controller	Connection	Cable length [m]	Interface
Double gripper								
EGK CNK-DG-ABB-OmniCoreC30	1529618	ABB	IRB, CRB		OmniCore C30	Controller, external cable routing	5	EtherNet/IP
EGK CNK-DG-YASKAWA-YRC1000micro	1529623	YASKAWA	GP, HC		YRC1000MICRO	Controller, external cable routing	5	EtherNet/IP
EGU/EGK/EZU CNK-DG-FANUC-CRX	1532241	FANUC	CRX	CRX-5iA, CRX-10iA, CRX-20iA, CRX-25iA	R-30iB Plus Mini	Tool, internal feed-through		Modbus RTU
EGU/EGK/EZU CNK-DG-KR-Gen2	1620285	Kassow Robots	KR Series, Edge Edition (Gen2)	KR810, KR1018, KR1205, KR1410, KR1805		Tool, internal feed-through		Modbus RTU
EGU/EGK/EZU CNK-DG-UR-eSeries	1532238	Universal Robots	e-Series	UR3e, UR5e, UR10e, UR16e	CB5	Tool, internal feed-through		Modbus RTU
Single gripper								
EGK CNK-SG-ABB-OmniCoreC30	1529617	ABB	IRB, CRB		OmniCore C30	Controller, external cable routing	5	EtherNet/IP
EGK CNK-SG-YASKAWA-YRC1000micro	1529622	YASKAWA	GP, HC		YRC1000MICRO	Controller, external cable routing	5	EtherNet/IP
EGU/EGK/EZU CNK-SG-FANUC-CRX	1532240	FANUC	CRX	CRX-5iA, CRX-10iA, CRX-20iA, CRX-25iA	R-30iB Plus Mini	Tool, internal feed-through		Modbus RTU
EGU/EGK/EZU CNK-SG-KR-Gen2	1620284	Kassow Robots	KR Series, Edge Edition (Gen2)	KR810, KR1018, KR1205, KR1410, KR1805		Tool, internal feed-through		Modbus RTU
EGU/EGK/EZU CNK-SG-UR-eSeries	1532237	Universal Robots	e-Series	UR3e, UR5e, UR10e, UR16e	CB5	Tool, internal feed-through		Modbus RTU

ⓘ The performance data of the robot must be taken into account. SCHUNK also recommends the use of a suitable strain relief.

Intermediate jaw ZBA-EGK 25

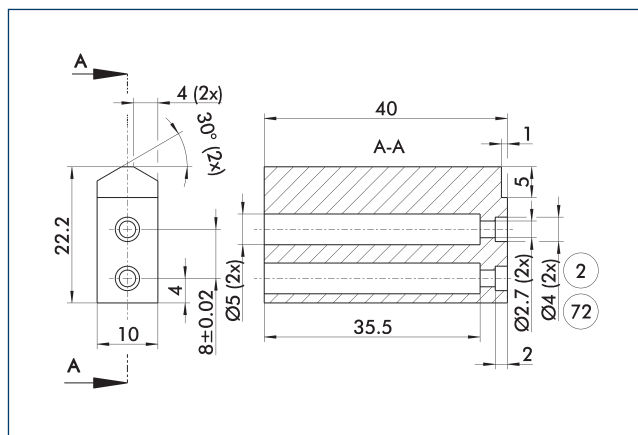


- ① Gripper connection
- ② Finger connection
- ⑦② Fit for centering sleeves
- ⑧① Depth of the centering sleeve hole in the counter part

The intermediate jaws offset the side offset of the base jaws in the Y direction and enable an aligned connection. During use, the interface of the base jaws corresponds to that of the universal gripper PGN-plus-P. This means that the extensive range of finger accessories for the PGN-plus-P can also be used for this gripper, taking into account the interfering contours, and the application limits that apply.

Description	ID	Material	Scope of delivery
Intermediate jaw			
ZBA EGK 25	1504616	Aluminum	2

Finger blanks ABR/SBR-PGZN-plus 40

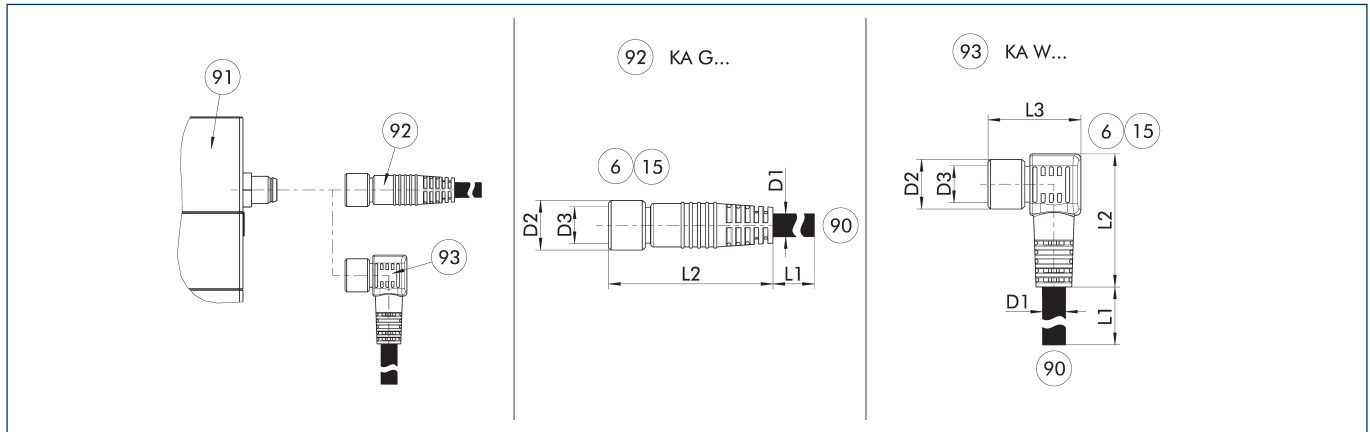


- ② Finger connection
- ⑦② Fit for centering sleeves

The drawing shows the finger blank which can be reworked by the customer.

Description	ID	Material	Scope of delivery
Finger blank			
ABR-PGZN-plus 40	0300008	Aluminum (3.4365)	1
SBR-PGZN-plus 40	0300018	Steel (1.7131)	1

Voltage supply/signals connection cable



KA G... Connection cable with straight socket
 KA W... Connection cable with angular socket

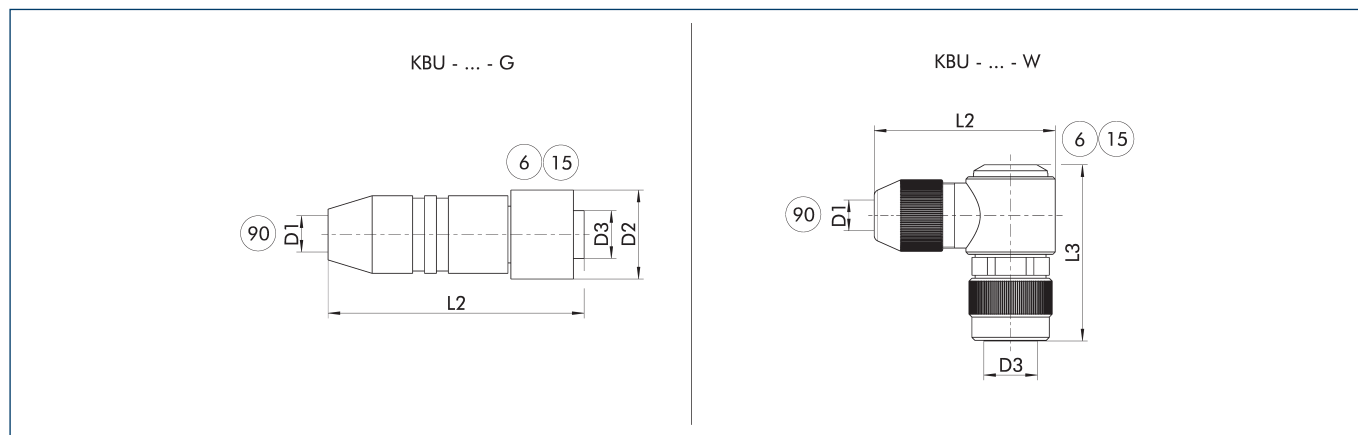
- ⑥ Connection module side
- ⑬ Socket
- ⑨① Connection plug component
- ⑨② Cable with straight female connector
- ⑨③ Cable with angled female connector
- ⑨④ SAC connection cable with open wire strands

The connection cable is ideal for connecting the corresponding components to the controller or the power supply unit. The connection cable has a 4-pin M8 socket on one side and an open wire strand on the other side for individual connections. The connection cables are suitable for use both in the cable track as well as in torsion applications.

Description	ID	L1 [m]	D1 [mm]	L2 [mm]	D2 [mm]	L3 [mm]	D3
Voltage supply/signals connection cable - drag chain and torsion resistant, M8 socket, straight							
KA GLN0804-10-00200-A	1310371	2	4.8	33.7	10		M8
KA GLN0804-10-00500-A	1310375	5	4.8	33.7	10		M8
KA GLN0804-10-01000-A	1310379	10	4.8	33.7	10		M8
KA GLN0804-10-02000-A	1442994	20	4.5	32	10		M8
Voltage supply/signals connection cable - drag chain and torsion resistant, M8 socket, angled							
KA WLN0804-10-00200-A	1310372	2	4.8	27.9	10	18.9	M8
KA WLN0804-10-00500-A	1310376	5	4.8	27.9	10	18.9	M8
KA WLN0804-10-01000-A	1310381	10	4.8	27.9	10	18.9	M8
KA WLN0804-10-02000-A	1442996	20	4.5	25	10	20	M8

① Please observe the min. bending radius for cable track-compatible cables or the max. torsion angle for torsion-compatible cables. These are generally 10 times the cable diameter or +/- 180°/m.

Plug-in connector power supply/signals



KBU - ... - G Socket with straight outlet
 KBU - ... - W Socket with angular outlet

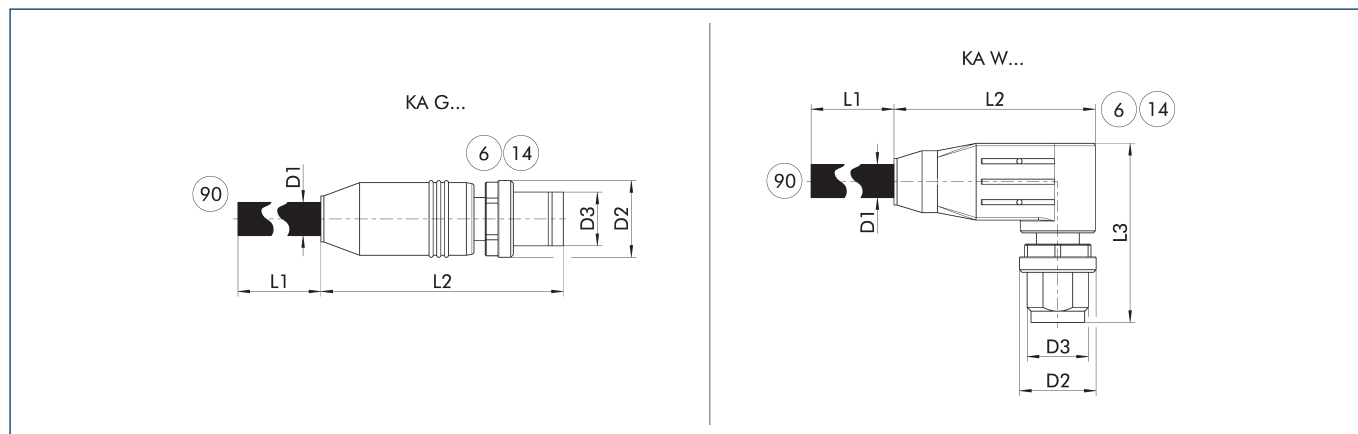
6 Connection module side
 15 Socket
 90 D1 - max. diameter connection cable

The plug connectors are used to connect the SCHUNK products to the voltage supply. A customer cable can be used for this. The individual wire strands can be soldered to the solder pins of the connector.

Description	ID	D1 (max.) [mm]	L2 [mm]	D2 [mm]	L3 [mm]	D3
Cable connector						
KBU-M8-G 4P	1506418	5	37	12		M8
KBU-M8-W 4P	1506422	5	25		28	M8

① For the connection cable, a cross-section for each individual wire strand of 0.25 mm² is recommended. Please refer to the product documentation for information about max. cable length and min. wire cross section.

Connection cable communication PROFINET, EtherNet/IP and EtherCAT



KA G... Straight plug connector
 KA W... Angular plug connector

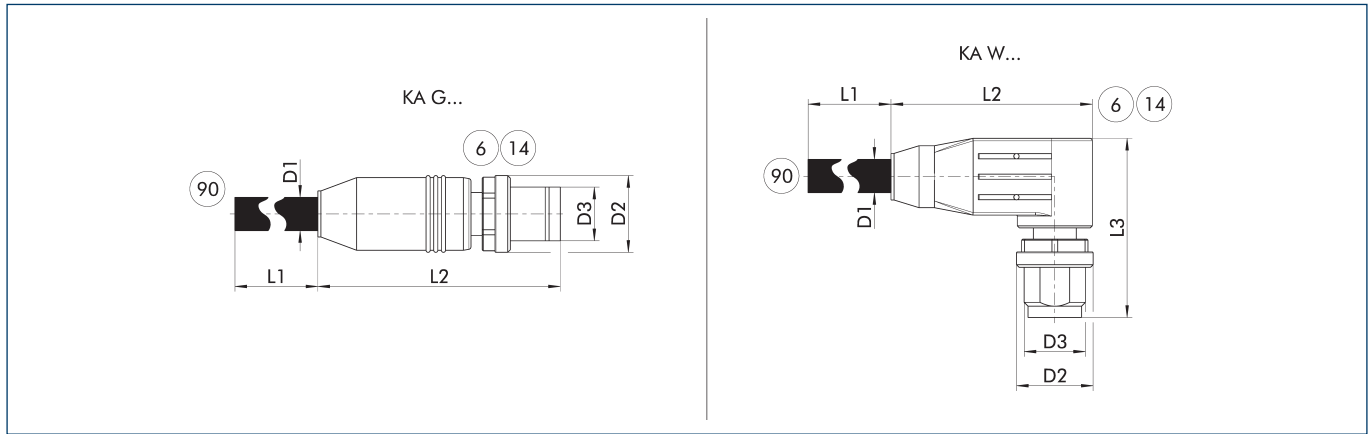
6 Connection module side
 14 Connector
 90 Cable ends with second plug connector

The communication cables are suitably assembled for the mechatronic products from SCHUNK and can be used for the PROFINET, EtherNET/IP and EtherCAT communication interfaces. They always have an M12 plug connector on the module side (D-coded, connector). The plug connectors are designed straight (KA G...) or angled (KA W...) on the module side. On the second side, the cables either have a straight M12 plug connector (D-coded, connector) or an RJ45 plug connector.

Description	ID	L1 [m]	D1 [mm]	L2 [mm]	D2 [mm]	D3
EtherCAT connection cable star distributor M12 D-coded socket, straight; on M8 A-coded connector, straight						
KA GGN12D04-08A04-ET-00020-A	1521990	0.2	6.5	47.3	14.8	M12

① Please observe the min. bending radius for cable track-compatible cables or the max. torsion angle for torsion-compatible cables. These are generally 10 times the cable diameter or +/- 180°/m.

Connection cable communication PROFINET, EtherNet/IP and EtherCAT



KA G... Straight plug connector
 KA W... Angular plug connector

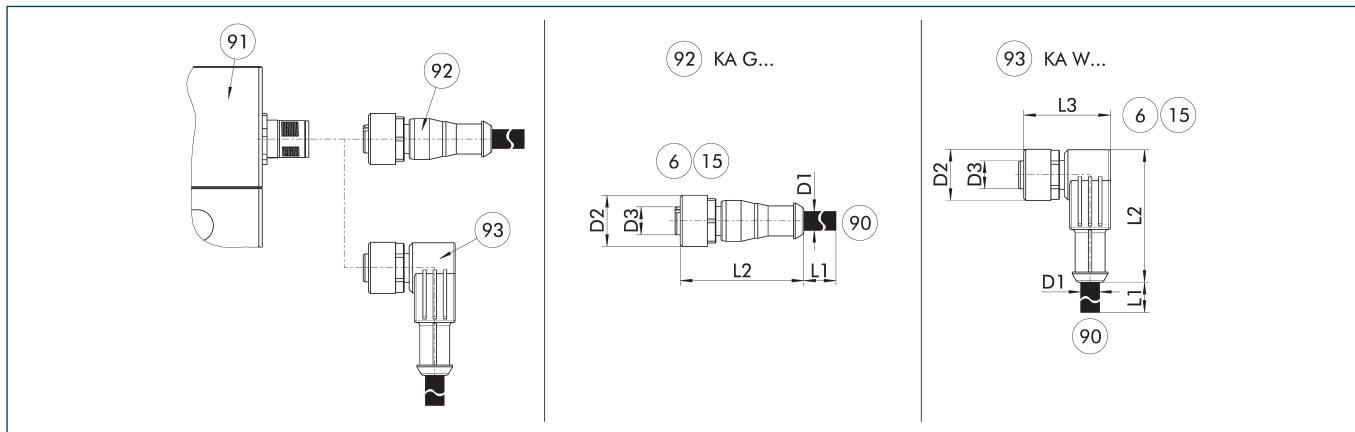
⑥ Connector module side
 ⑭ Connector
 ⑨⑩ Cable ends with second plug connector

The communication cables are suitably assembled for the mechatronic products from SCHUNK and can be used for the PROFINET, EtherNET/IP and EtherCAT communication interfaces. They always have an M8 plug connector on the module side (D-coded, connector). The plug connectors are designed straight (KA G...) or angled (KA W...) on the module side. On the second side, the cables either have a straight M8 plug connector (D-coded, male) or a RJ45 plug connector.

Description	ID	L1	D1	L2	D2	L3	D3
		[m]	[mm]	[mm]	[mm]	[mm]	
Communication cable suitable for drag chain M8 connector, straight – to M12 connector, straight							
KA GGN08D04-12D04-ET-00500-A	1505212	5	6.5	39.4	10		M8
KA GGN08D04-12D04-ET-01000-A	1505224	10	6.5	39.4	10		M8
Communication cable suitable for drag chain M8 connector, straight – to RJ45 connector, straight							
KA GGN08D04-RJ45-ET-00200-A	1511261	2	6.5	39.4	10		M8
KA GGN08D04-RJ45-ET-00500-A	1505217	5	6.5	39.4	10		M8
KA GGN08D04-RJ45-ET-01000-A	1505229	10	6.5	39.4	10		M8
Communication cable suitable for drag chain M8 connector, angled – to M12 connector, straight							
KA WGN08D04-12D04-ET-00500-A	1505213	5	6.5	28	10	25.5	M8
KA WGN08D04-12D04-ET-01000-A	1505227	10	6.5	28	10	25.5	M8
Communication cable suitable for drag chain M8 connector, angled – to RJ45 connector, straight							
KA WGN08D04-RJ45-ET-00500-A	1505219	5	6.5	28	10	25.5	M8
KA WGN08D04-RJ45-ET-01000-A	1505243	10	6.5	28	10	25.5	M8
Communication cable suitable for torsion-resistant M8 connector, straight – to M12 connector, straight							
KAR GGN08D04-12D04-ET-00500-A	1505248	5	6.5	39.4	10		M8
KAR GGN08D04-12D04-ET-01000-A	1505284	10	6.5	39.4	10		M8
Communication cable suitable for torsion-resistant M8 connector, straight – to RJ45 connector, straight							
KAR GGN08D04-RJ45-ET-00500-A	1505269	5	6.5	39.4	10		M8
KAR GGN08D04-RJ45-ET-01000-A	1505303	10	6.5	39.4	10		M8
Communication cable suitable for torsion-resistant M8 connector, angled – to M12 connector, straight							
KAR WGN08D04-12D04-ET-00500-A	1505258	5	6.5	28	10	25.5	M8
KAR WGN08D04-12D04-ET-01000-A	1505289	10	6.5	28	10	25.5	M8
Communication cable suitable for torsion-resistant M8 connector, angled – to RJ45 connector, straight							
KAR WGN08D04-RJ45-ET-00500-A	1505276	5	6.5	28	10	25.5	M8
KAR WGN08D04-RJ45-ET-01000-A	1505305	10	6.5	28	10	25.5	M8

① Please observe the min. bending radius for cable track-compatible cables or the max. torsion angle for torsion-compatible cables. These are generally 10 times the cable diameter or +/- 180°/m. Please refer to the product documentation for information about max. cable length and min. wire cross section.

Connection cable for voltage supply and communication IO-Link



KA G... Connection cable with straight socket
 KA W... Connection cable with angular socket

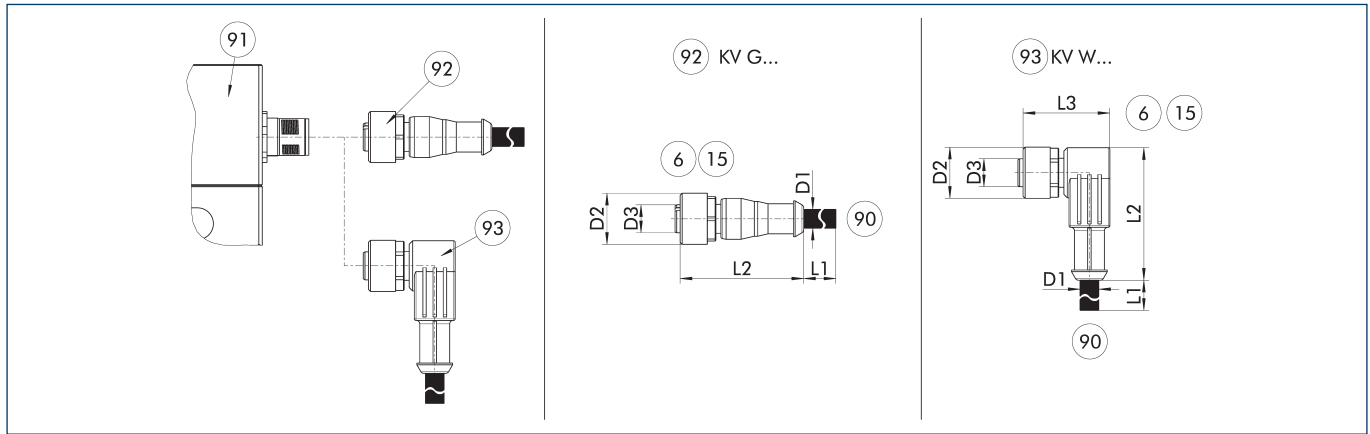
- ⑥ Connection module side
- ⑬ Socket
- ⑨⑩ SAC connection cable with open wire strands
- ⑨① Connection plug component
- ⑨② Cable with straight female connector
- ⑨③ Cable with angled female connector

The connection cable is ideal for connecting the corresponding components to the control system. The connection cable has a 5-pin M12 socket on one side, and open wire strands on the other side for individual connections. The connection cables are suitable for use both in the cable track as well as in torsion applications.

Description	ID	L1 [m]	D1 [mm]	L2 [mm]	D2 [mm]	L3 [mm]	D3
IO-Link connection cable – drag chain and torsion-compatible							
KA GLN1205-IOL-00500-A	1387207	5	4.8	38	15		M12
KA GLN1205-IOL-01000-A	1387209	10	4.8	38	15		M12
KA WLN1205-IOL-00500-A	1387210	5	4.8	39	15	28	M12
KA WLN1205-IOL-01000-A	1387211	10	4.8	39	15	28	M12

① Please observe the min. bending radius for cable track-compatible cables or the max. torsion angle for torsion-compatible cables. These are generally 10 times the cable diameter or +/- 180°/m.

Cable extension for voltage supply and communication IO-Link



KV G...
KV W...

Cable extension with straight socket
Cable extension with angled socket

6 Connection module side
15 Socket
90 Cable end with straight connector

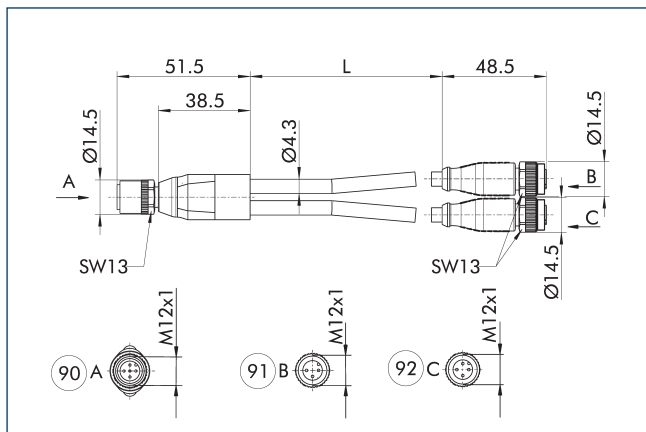
91 Connection plug component
92 Cable with straight female connector
93 Cable with angled female connector

The cable extensions are ideal for connecting the relevant components to the control system, or for use as extension cables. The cable extensions have a 5-pin M12 connector with a straight or angled design on the module side and a 5-pin M12 plug with a straight design on the other side. The cable extensions are suitable for use in the cable track and in torsion applications.

Description	ID	L1 [m]	D1 [mm]	L2 [mm]	D2 [mm]	L3 [mm]	D3
IO-Link cable extension – cable track and torsion-compatible							
KV GGN1205-IOL-00200-A	1387195	2	4.8	41	15		M12
KV GGN1205-IOL-00500-A	1387199	5	4.8	41	15		M12
KV WGN1205-IOL-00200-A	1387202	2	4.8	39	15	28	M12
KV WGN1205-IOL-00500-A	1387205	5	4.8	39	15	28	M12

ⓘ Please observe the min. bending radius for cable track-compatible cables or the max. torsion angle for torsion-compatible cables. These are generally 10 times the cable diameter or +/- 180°/m.

Y-distributor for IO-Link for splitting logic and power supply

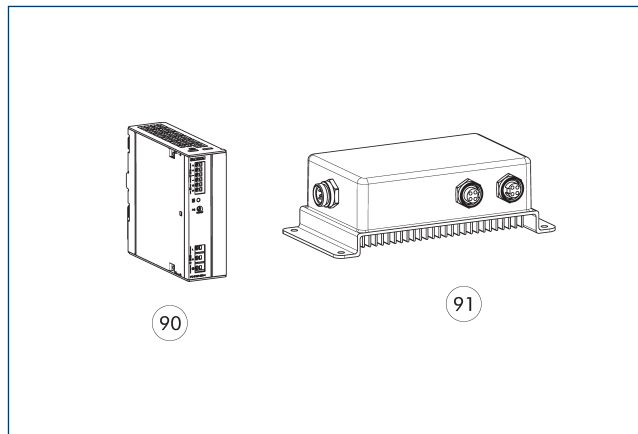


- 90 Grippers
- 91 Logic (IO-Link master)
- 92 Power (24 V power supply)

The Y-distributor enables power to be supplied from a separate voltage source and is recommended when the current consumption of the product exceeds the current output of the IO-Link master. The logic supply and the IO-Link communication continue to run via the IO-Link master. IO-Link masters with port class A or port class B can be used.

Description	ID	Length [m]
Y-distributor, M12 socket, straight - on 2xM12 plugs, straight A-coded		
Y-Verteiler M12 5pol. auf 1x M12 3pol.	1523560	0.3

Switched-mode power supply



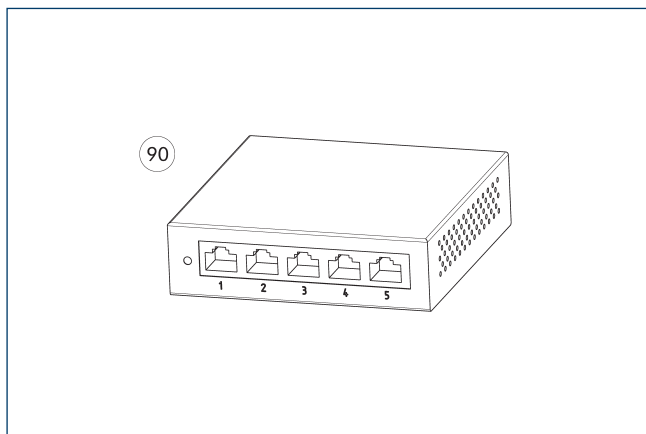
- 90 24 V power supply unit IP2
- 91 24 V power supply unit IP67

The power supply with an output voltage of 24 V and an input voltage range of 100 V – 240 V are matched to the power supply of our SCHUNK products. Whether for mounting in the control cabinet on DIN rail in protection class IP20 or directly in the field in protection class IP67: the power supply units deliver voltage where it is needed. We will be happy to assist you with further selection.

Description	ID	
24 V power supply unit IP2		
BLOCK PC-0124-050-0	31001408	
24 V power supply unit IP67		
TURCK PSU67-12-2480/M	1524336	

- ① For the power supply IP67, there are customizable plug connectors for connection to the power supply unit included in the scope of delivery.

Switch



- 90 Ethernet 5-port switch

The switches enable easy expansion of a high-speed network using wired connections. With the switch, several SCHUNK products can be included in a network and thus controlled via a PLC, for example.

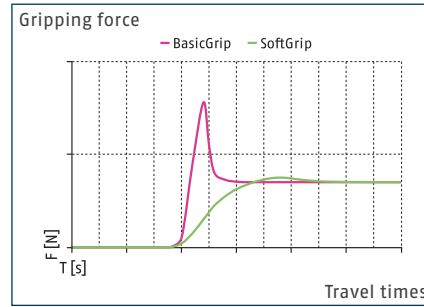
Description	ID	
Ethernet switch		
D-Link DGS-105 5-Port Ethernet Switch	1526496	

EGK 40

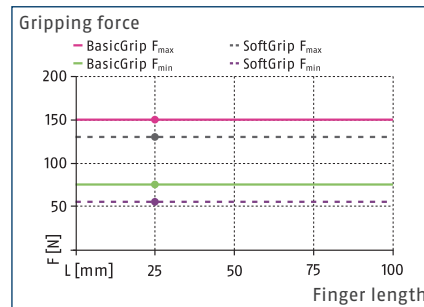
Gripper for small components



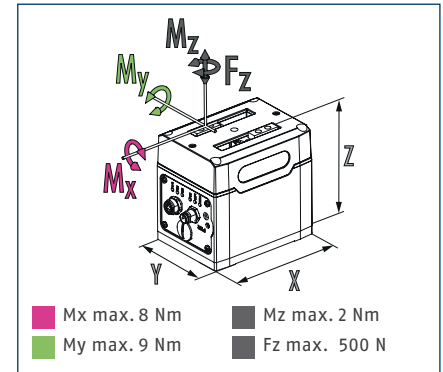
Gripping modes



Gripping force I.D. gripping



Dimensions and maximum loads

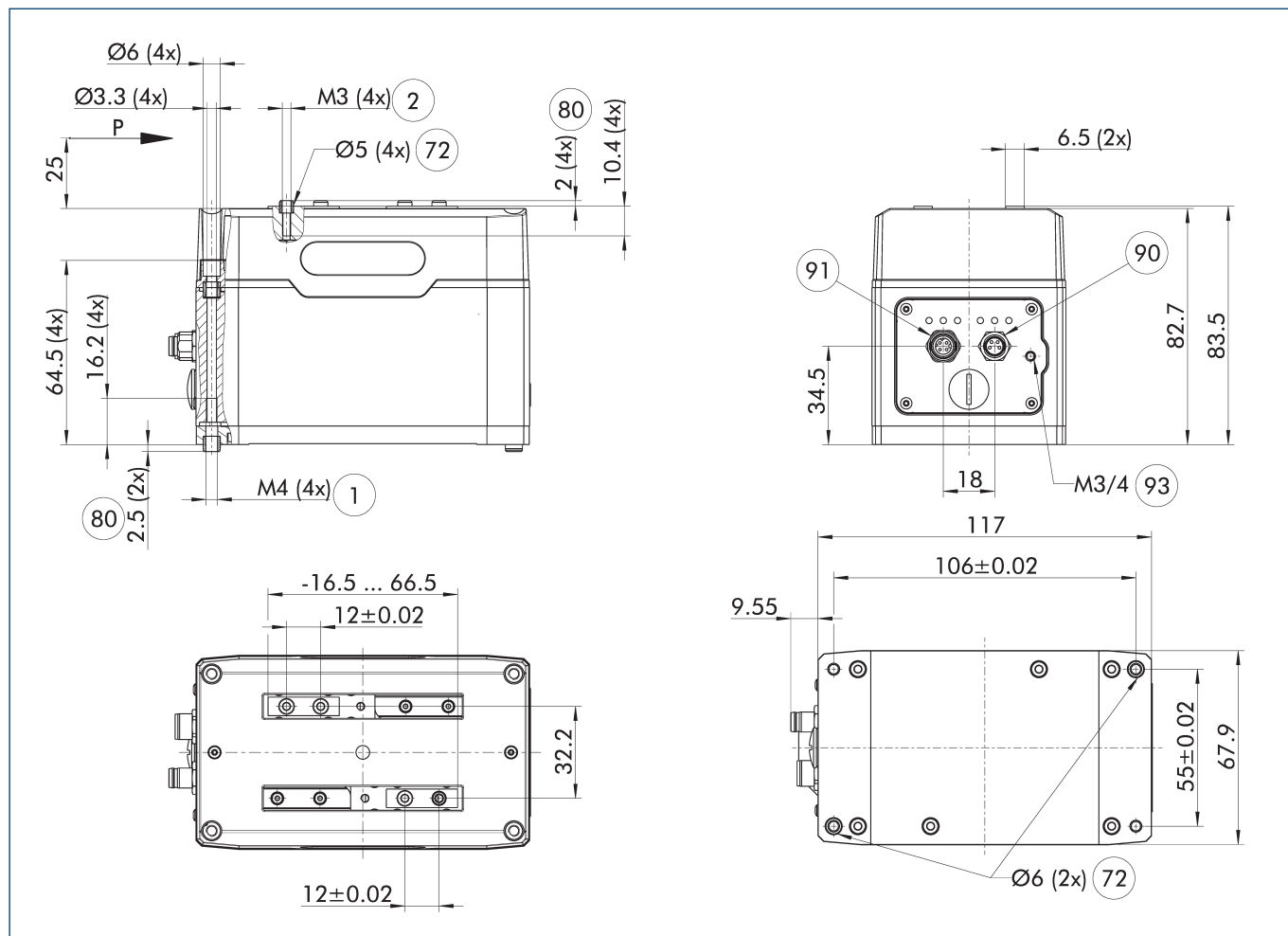


① The indicated moments and forces are static values, apply for each base jaw and may appear simultaneously. Loads may additionally occur to the moment produced by the gripping force itself.

Technical data

Description		EGK 40-PN-M-B	EGK 40-EI-M-B	EGK 40-EC-M-B	EGK 40-IL-M-B	EGK 40-MB-M-B
ID		1491765	1491767	1491769	1491759	1491762
General operating data						
Stroke per jaw	[mm]	41.5	41.5	41.5	41.5	41.5
Min./max. gripping force	[N]	55/150	55/150	55/150	55/150	55/150
Min./max. gripping force maintenance	[%]	75/90	75/90	75/90	75/90	75/90
Max. permissible finger length	[mm]	100	100	100	100	100
Max. permissible weight per finger	[kg]	0.3	0.3	0.3	0.3	0.3
Positioning accuracy	[mm]	±0.2	±0.2	±0.2	±0.2	±0.2
Repeat accuracy (gripping)	[mm]	0.03	0.03	0.03	0.03	0.03
Repeat accuracy (positioning, unidirectional)	[mm]	0.2	0.2	0.2	0.2	0.2
Repeat accuracy (positioning, bi-directional)	[mm]	0.25	0.25	0.25	0.25	0.25
Closing/opening time (positioning, 50% stroke)	[s]	0.49/0.49	0.49/0.49	0.49/0.49	0.49/0.49	0.49/0.49
Max. speed (positioning)	[mm/s]	115	115	115	115	115
Max. acceleration	[mm/s ²]	1000	1000	1000	1000	1000
Weight	[kg]	1.02	1.02	1.02	1.02	1.02
Min./max. ambient temperature	[°C]	5/55	5/55	5/55	5/55	5/55
IP protection class, electronics		67	67	67	67	67
IP protection class guide/base jaws		20	20	20	20	20
Cleanroom class ISO 14644-1:2015		5	5	5	5	5
Electrical operating data						
Nominal voltage	[V]	24	24	24	24	24
Communication interface		PROFINET	EtherNet/IP	EtherCAT	IO-Link	Modbus RTU
Power nominal/max. current consumption	[A]	0.25/0.56	0.25/0.56	0.25/0.56	0.25/0.56	0.25/0.56
Logic nominal/max. current consumption	[A]	0.16/0.2	0.16/0.2	0.16/0.2	0.16/0.2	0.16/0.2
Options and their characteristics						
Version without gripping force maintenance		1491766	1491768	1491770	1491760	1491763
Weight	[kg]	0.97	0.97	0.97	0.97	0.97
Power nominal/max. current consumption	[A]	0.19/0.38	0.19/0.38	0.19/0.38	0.19/0.38	0.19/0.38

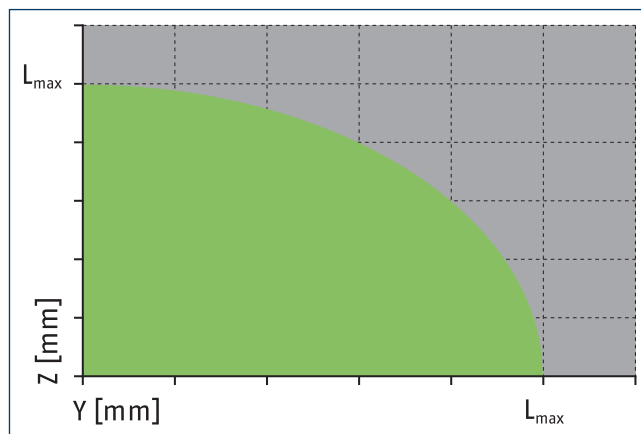
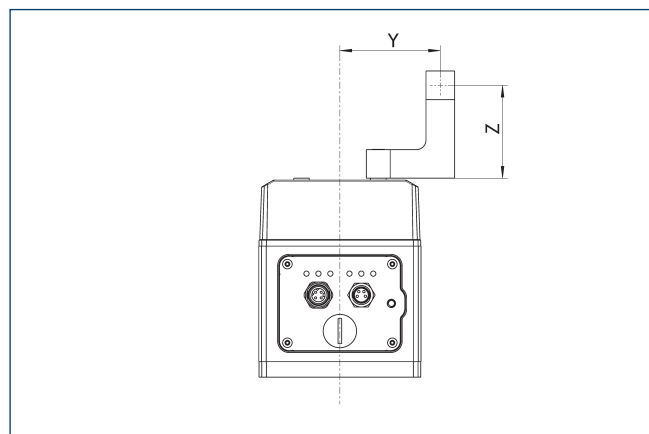
Main view



The drawing shows the gripper in PROFINET, EtherNet/IP or EtherCAT version, with and without gripper force maintenance with opened jaws.

- ① Gripper connection
- ② Finger connection
- ⑦② Fit for centering sleeves
- ⑧① Depth of the centering sleeve hole in the counter part
- ⑨① Voltage supply (M8, connector, 4 pin, A-coded)
- ⑨② Communication (M8, socket, 4 pin, D-coded)
- ⑨③ Functional ground connection

Maximum permitted finger projection

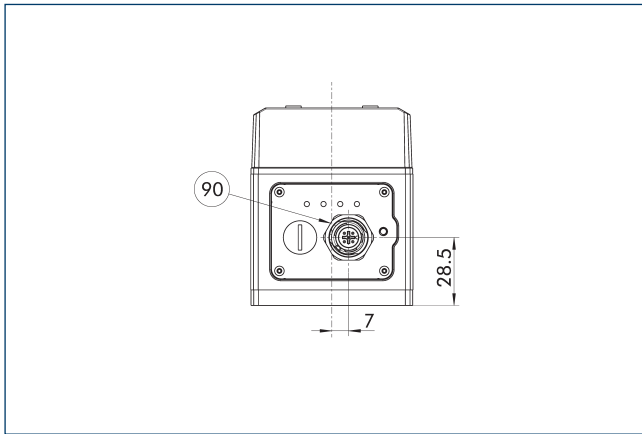


■ Permitted range ■ Inadmissible range
 L^{max} is equivalent to the maximum permitted finger length, see the technical data table.

EGK 40

Gripper for small components

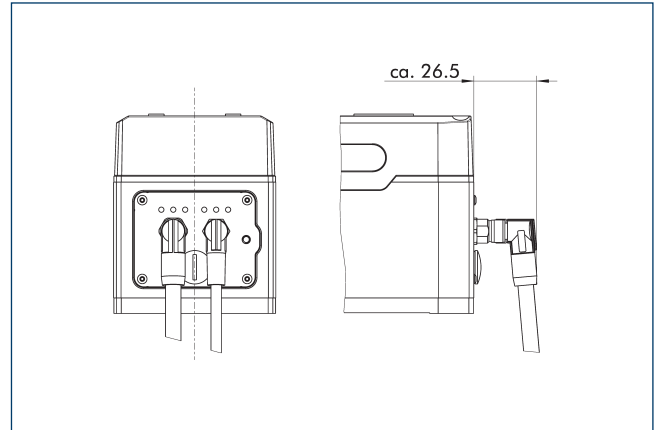
IO-Link and Modbus RTU version



- 90 Voltage supply and communication (M12, connector, A-coded, IL: 5 pin, MB: 4 pin)

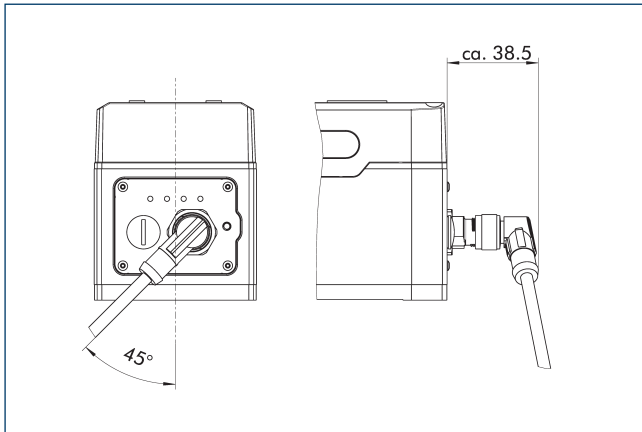
The drawing shows the changes in dimension of the IO-Link and Modbus RTU versions compared to the basic version found in the main view.

Angled plug connectors for PROFINET, EtherNet/IP and EtherCAT version



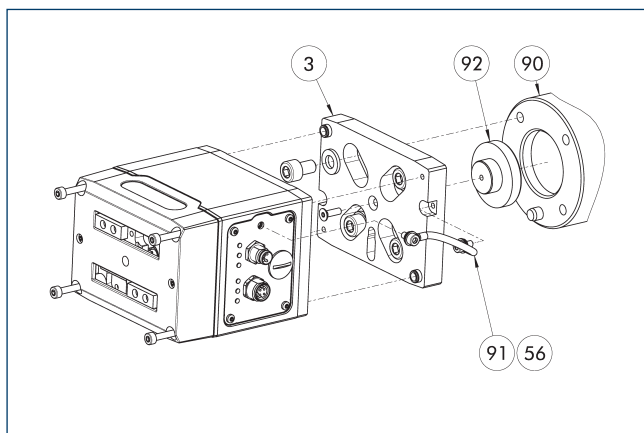
The drawing shows the direction of the cable outlet when using angled connectors. The distance from the plug connector to the gripper housing may vary depending on the cable manufacturer used.

Angled plug connectors for IO-Link and Modbus RTU version



The drawing shows the direction of the cable outlet when using angled connectors. The distance from the plug connector to the gripper housing may vary depending on the cable manufacturer used.

Robot adaptation packages single gripper



- ③ Adapter
- ⑤⑥ Included in the scope of delivery
- ⑨⑩ Robot flange
- ⑨① Cable functional ground
- ⑨② Centering disc

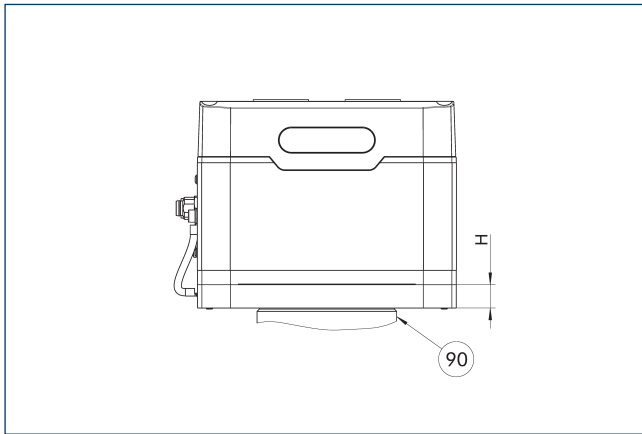
Robot adaptation packages for single grippers contain all components required to mechanically adapt the gripper to the desired robot flange. Depending on the flange pattern, suitable screws, centering pins and the centering collar are included.

Description	ID	Height	DIN ISO-9409 bolt circle	Manufacturer	Model
		[mm]	[mm]		
Adapter					
AKO EGK40/ GP4	1524729	11		YASKAWA	GP4
AKO EGK40/ GP7,8	1524730	11		YASKAWA	GP7, GP8
AKO EGK40/ ISO31.5	1524718	11	31.5	ABB	SWIFTI CRB1100, IRB1100, IRB1200
AKO EGK40/ ISO40	1524720	11	40	ABB	IRB1300
AKO EGK40/ ISO50	1524725	11	50	ABB	GoFa CRB15000
AKO EGK40/ ISO50	1524725	11	50	FANUC	CRX-5iA, CRX-10iA, CRX-20iA, CRX-25iA
AKO EGK40/ ISO50	1524725	11	50	Kassow Robots	
AKO EGK40/ ISO50	1524725	11	50	Universal Robots	UR3e, UR5e, UR10e, UR16e
AKO EGK40/ ISO50	1524725	11	50	YASKAWA	HC10DTP, HC20DTP

EGK 40

Gripper for small components

Robot adaptation packages single gripper

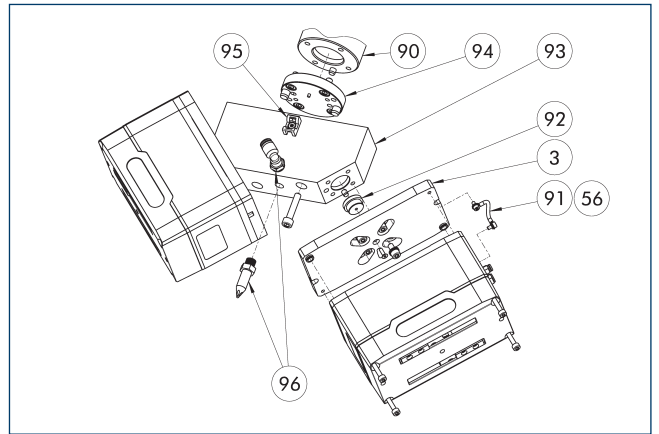


90 Robot flange

The single-piece design enables a flat construction of the entire system. The adapter is manufactured from blank aluminum. The listed robot manufacturers with their associated models constitute useful recommendations taking the total mass into account. SCHUNK nevertheless recommends that the payload of the robot will be considered in detail.

Description	ID	Height	DIN ISO-9409 bolt circle	Manufacturer	Model
		[mm]	[mm]		
Adapter					
AKO EGK40/GP4	1524729	11		YASKAWA	GP4
AKO EGK40/GP7,8	1524730	11		YASKAWA	GP7, GP8
AKO EGK40/ISO31.5	1524718	11	31.5	ABB	SWIFTI CRB1100, IRB1100, IRB1200
AKO EGK40/ISO40	1524720	11	40	ABB	IRB1300
AKO EGK40/ISO50	1524725	11	50	ABB	GoFa CRB15000
AKO EGK40/ISO50	1524725	11	50	FANUC	CRX-5iA, CRX-10iA, CRX-20iA, CRX-25iA
AKO EGK40/ISO50	1524725	11	50	Kassow Robots	
AKO EGK40/ISO50	1524725	11	50	Universal Robots	UR3e, UR5e, UR10e, UR16e
AKO EGK40/ISO50	1524725	11	50	YASKAWA	HC10DTP, HC20DTP

Robot adaptation packages double gripper

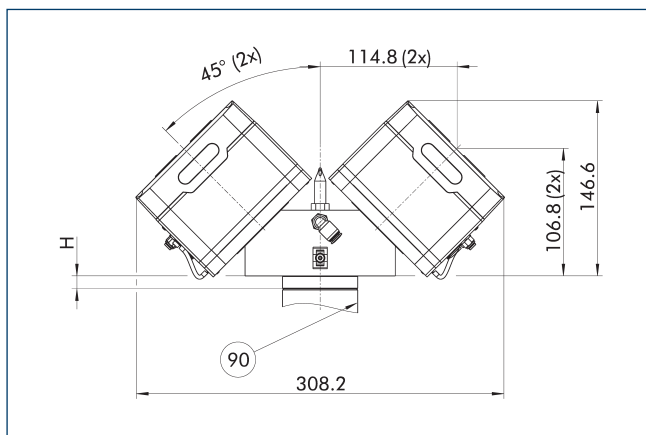


- 3 Adapter
- 56 Included in the scope of delivery
- 90 Robot flange
- 91 Cable functional ground
- 92 Centering collar gripper
- 93 angle adapter
- 94 Adapter robot
- 95 Cable holder (included in the scope of delivery of the cable package)
- 96 Attachment set blow-off nozzle

Robot adaptation packages for double grippers contain all components required to mechanically adapt two grippers to the desired robot flange. Depending on the flange pattern, suitable screws, centering pins and centering material are included in the delivery. A short or long blow-off nozzle can be added as an option.

Description	ID	Height	DIN ISO-9409 bolt circle	Manufacturer	Model
		[mm]	[mm]		
Adapter					
AKO 2xEGK40/GP12	1524785	15.8		YASKAWA	GP12
AKO 2xEGK40/GP7,8	1524784	8.9		YASKAWA	GP7, GP8
AKO 2xEGK40/ISO31.5	1524779	9.9	31.5		
AKO 2xEGK40/ISO40	1524780	10.8	40		
AKO 2xEGK40/ISO50	1524783	10.8	50	FANUC	CRX-10iA, CRX-20iA, CRX-25iA
AKO 2xEGK40/ISO50	1524783	10.8	50	Kassow Robots	
AKO 2xEGK40/ISO50	1524783	10.8	50	Universal Robots	UR5e, UR10e, UR16e
AKO 2xEGK40/ISO50	1524783	10.8	50	YASKAWA	HC10DTP, HC20DTP
Attachment set blow-off nozzle (short)	1524788				

Robot adaptation packages double gripper



90 Robot flange

The adapter is manufactured from blank aluminum. The listed robot manufacturers with their associated models constitute useful recommendations taking the total mass into account. SCHUNK nevertheless recommends that the payload of the robot will be considered in detail.

Description	ID	Height	DIN ISO-9409 bolt circle	Manufacturer	Model
		[mm]	[mm]		
Adapter					
AKO 2xEGK40/ GP12	1524785	15.8		YASKAWA	GP12
AKO 2xEGK40/ GP7,8	1524784	8.9		YASKAWA	GP7, GP8
AKO 2xEGK40/ ISO31.5	1524779	9.9	31.5		
AKO 2xEGK40/ ISO40	1524780	10.8	40		
AKO 2xEGK40/ ISO50	1524783	10.8	50	FANUC	CRX-10iA, CRX-20iA, CRX-25iA
AKO 2xEGK40/ ISO50	1524783	10.8	50	Kassow Robots	
AKO 2xEGK40/ ISO50	1524783	10.8	50	Universal Robots	UR5e, UR10e, UR16e
AKO 2xEGK40/ ISO50	1524783	10.8	50	YASKAWA	HC10DTP, HC20DTP

EGK 40

Gripper for small components

Robot-specific connection cables

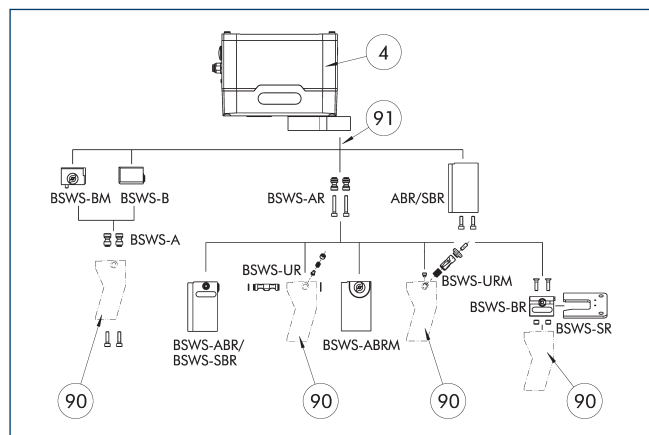


Connection cables and connection cable kits for electrical connection to specific robot models and controllers. Depending on the manufacturer, a direct connection to the tool flange is possible or external cabling is required. In combination with mechanical adapters and software modules, this allows commissioning on the robot to be carried out in just a few steps. Cables for external cable routing are designed to withstand torsion.

Description	ID	Manufacturer	Series	Model	Controller	Connection	Cable length [m]	Interface
Double gripper								
EGK CNK-DG-ABB-OmniCoreC30	1529618	ABB	IRB, CRB		OmniCore C30	Controller, external cable routing	5	EtherNet/IP
EGK CNK-DG-YASKAWA-YRC1000micro	1529623	YASKAWA	GP, HC		YRC1000MICRO	Controller, external cable routing	5	EtherNet/IP
EGU/EGK/EZU CNK-DG-FANUC-CRX	1532241	FANUC	CRX	CRX-5iA, CRX-10iA, CRX-20iA, CRX-25iA	R-30iB Plus Mini	Tool, internal feed-through		Modbus RTU
EGU/EGK/EZU CNK-DG-KR-Gen2	1620285	Kassow Robots	KR Series, Edge Edition (Gen2)	KR810, KR1018, KR1205, KR1410, KR1805		Tool, internal feed-through		Modbus RTU
EGU/EGK/EZU CNK-DG-UR-eSeries	1532238	Universal Robots	e-Series	UR3e, UR5e, UR10e, UR16e	CB5	Tool, internal feed-through		Modbus RTU
Single gripper								
EGK CNK-SG-ABB-OmniCoreC30	1529617	ABB	IRB, CRB		OmniCore C30	Controller, external cable routing	5	EtherNet/IP
EGK CNK-SG-YASKAWA-YRC1000micro	1529622	YASKAWA	GP, HC		YRC1000MICRO	Controller, external cable routing	5	EtherNet/IP
EGU/EGK/EZU CNK-SG-FANUC-CRX	1532240	FANUC	CRX	CRX-5iA, CRX-10iA, CRX-20iA, CRX-25iA	R-30iB Plus Mini	Tool, internal feed-through		Modbus RTU
EGU/EGK/EZU CNK-SG-KR-Gen2	1620284	Kassow Robots	KR Series, Edge Edition (Gen2)	KR810, KR1018, KR1205, KR1410, KR1805		Tool, internal feed-through		Modbus RTU
EGU/EGK/EZU CNK-SG-UR-eSeries	1532237	Universal Robots	e-Series	UR3e, UR5e, UR10e, UR16e	CB5	Tool, internal feed-through		Modbus RTU

ⓘ The performance data of the robot must be taken into account. SCHUNK also recommends the use of a suitable strain relief.

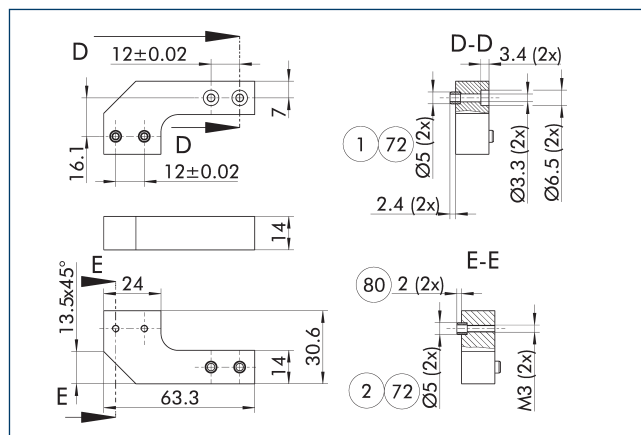
BSWS jaw quick-change jaw systems



- ④ Grippers
- ⑨① Intermediate jaw
- ⑨① Customized gripper fingers

There are various jaw quick-change systems available for the gripper. For detailed information, please refer to the corresponding product.

Intermediate jaw ZBA-EGK 40

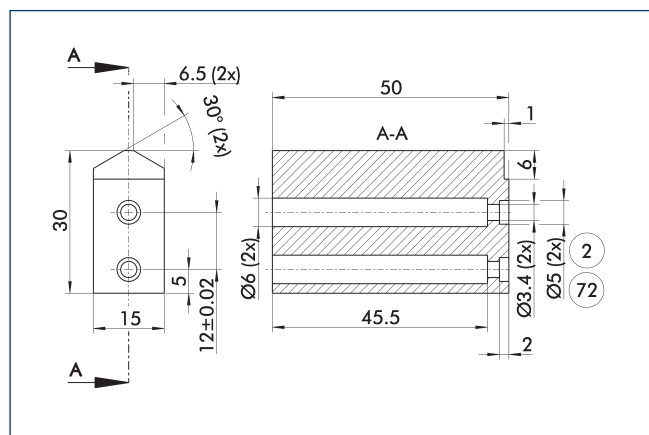


- ① Gripper connection
- ⑦② Fit for centering sleeves
- ② Finger connection
- ⑧① Depth of the centering sleeve hole in the counter part

The intermediate jaws offset the side offset of the base jaws in the Y direction and enable an aligned connection. During use, the interface of the base jaws corresponds to that of the universal gripper PGN-plus-P. This means that the extensive range of finger accessories for the PGN-plus-P can also be used for this gripper, taking into account the interfering contours, and the application limits that apply.

Description	ID	Material	Scope of delivery
Intermediate jaw			
ZBA EGK 40	1504617	Aluminum	2

Finger blanks ABR/SBR-PGZN-plus 50

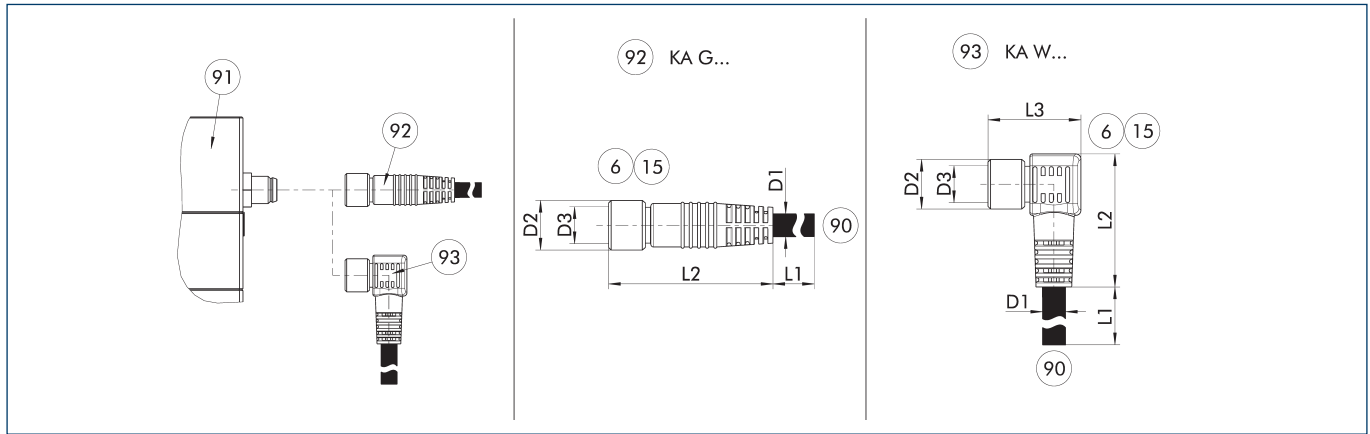


- ② Finger connection
- ⑦② Fit for centering sleeves

The drawing shows the finger blank which can be reworked by the customer.

Description	ID	Material	Scope of delivery
Finger blank			
ABR-PGZN-plus 50	0300009	Aluminum (3.4365)	1
SBR-PGZN-plus 50	0300019	Steel (1.7131)	1

Voltage supply/signals connection cable



KA G... Connection cable with straight socket
 KA W... Connection cable with angular socket

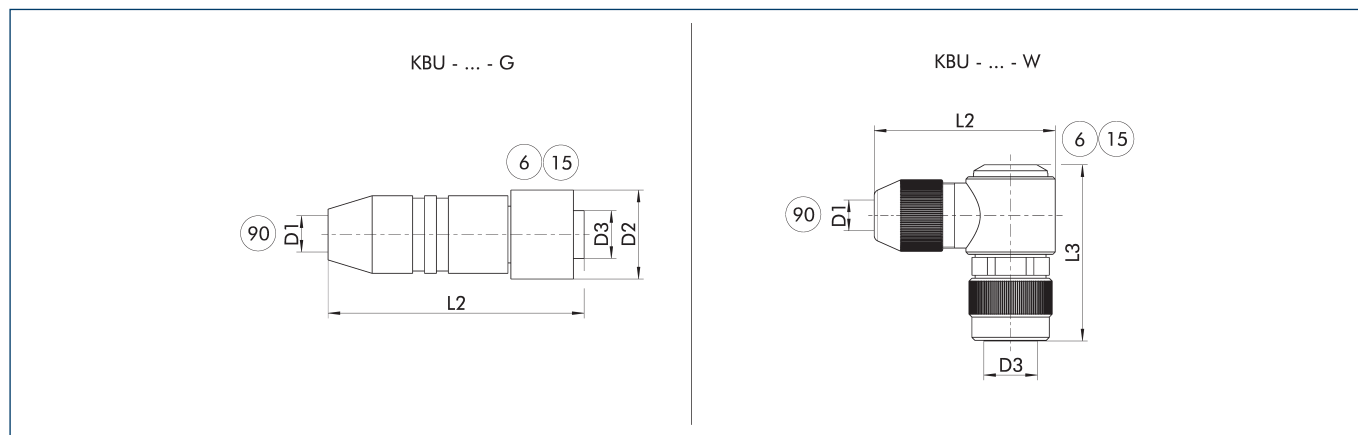
- ⑥ Connection module side
- ⑬ Socket
- ⑨① Connection plug component
- ⑨② Cable with straight female connector
- ⑨③ Cable with angled female connector
- ⑨④ SAC connection cable with open wire strands

The connection cable is ideal for connecting the corresponding components to the controller or the power supply unit. The connection cable has a 4-pin M8 socket on one side and an open wire strand on the other side for individual connections. The connection cables are suitable for use both in the cable track as well as in torsion applications.

Description	ID	L1 [m]	D1 [mm]	L2 [mm]	D2 [mm]	L3 [mm]	D3
Voltage supply/signals connection cable - drag chain and torsion resistant, M8 socket, straight							
KA GLN0804-10-00200-A	1310371	2	4.8	33.7	10		M8
KA GLN0804-10-00500-A	1310375	5	4.8	33.7	10		M8
KA GLN0804-10-01000-A	1310379	10	4.8	33.7	10		M8
KA GLN0804-10-02000-A	1442994	20	4.5	32	10		M8
Voltage supply/signals connection cable - drag chain and torsion resistant, M8 socket, angled							
KA WLN0804-10-00200-A	1310372	2	4.8	27.9	10	18.9	M8
KA WLN0804-10-00500-A	1310376	5	4.8	27.9	10	18.9	M8
KA WLN0804-10-01000-A	1310381	10	4.8	27.9	10	18.9	M8
KA WLN0804-10-02000-A	1442996	20	4.5	25	10	20	M8

① Please observe the min. bending radius for cable track-compatible cables or the max. torsion angle for torsion-compatible cables. These are generally 10 times the cable diameter or +/- 180°/m.

Plug-in connector power supply/signals



KBU - ... - G Socket with straight outlet
 KBU - ... - W Socket with angular outlet

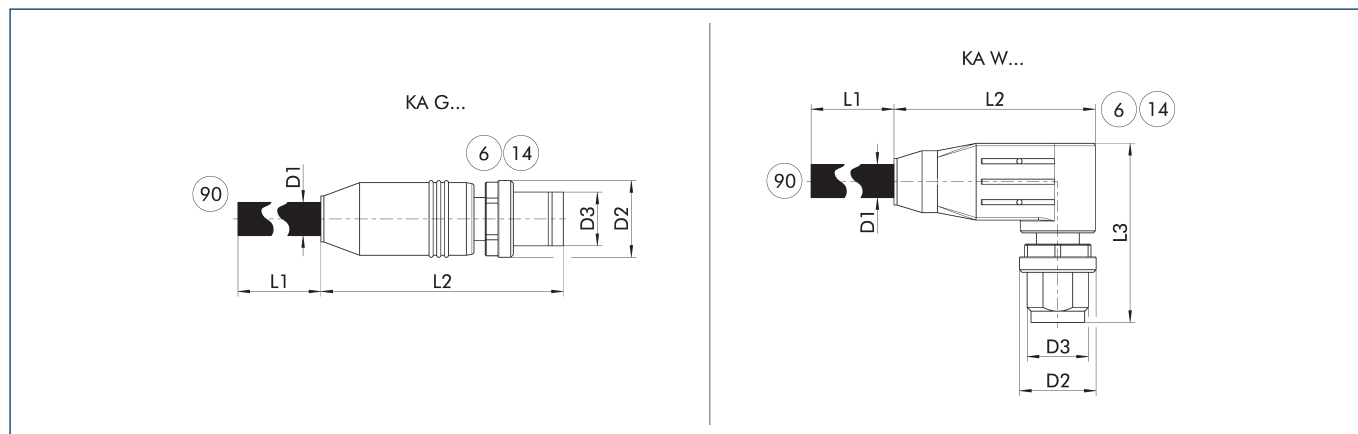
6 Connection module side
 15 Socket
 90 D1 - max. diameter connection cable

The plug connectors are used to connect the SCHUNK products to the voltage supply. A customer cable can be used for this. The individual wire strands can be soldered to the solder pins of the connector.

Description	ID	D1 (max.) [mm]	L2 [mm]	D2 [mm]	L3 [mm]	D3
Cable connector						
KBU-M8-G 4P	1506418	5	37	12		M8
KBU-M8-W 4P	1506422	5	25		28	M8

① For the connection cable, a cross-section for each individual wire strand of 0.25 mm² is recommended. Please refer to the product documentation for information about max. cable length and min. wire cross section.

Connection cable communication PROFINET, EtherNet/IP and EtherCAT



KA G... Straight plug connector
 KA W... Angular plug connector

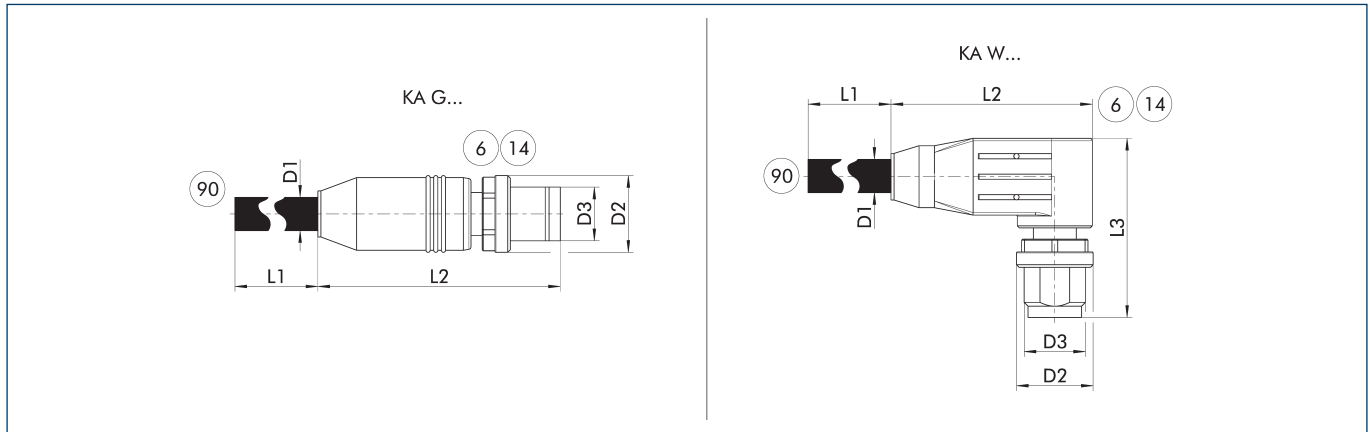
6 Connection module side
 14 Connector
 90 Cable ends with second plug connector

The communication cables are suitably assembled for the mechatronic products from SCHUNK and can be used for the PROFINET, EtherNET/IP and EtherCAT communication interfaces. They always have an M12 plug connector on the module side (D-coded, connector). The plug connectors are designed straight (KA G...) or angled (KA W...) on the module side. On the second side, the cables either have a straight M12 plug connector (D-coded, connector) or an RJ45 plug connector.

Description	ID	L1 [m]	D1 [mm]	L2 [mm]	D2 [mm]	D3
EtherCAT connection cable star distributor M12 D-coded socket, straight; on M8 A-coded connector, straight						
KA GGN12D04-08A04-ET-00020-A	1521990	0.2	6.5	47.3	14.8	M12

① Please observe the min. bending radius for cable track-compatible cables or the max. torsion angle for torsion-compatible cables. These are generally 10 times the cable diameter or +/- 180°/m.

Connection cable communication PROFINET, EtherNet/IP and EtherCAT



KA G... Straight plug connector
 KA W... Angular plug connector

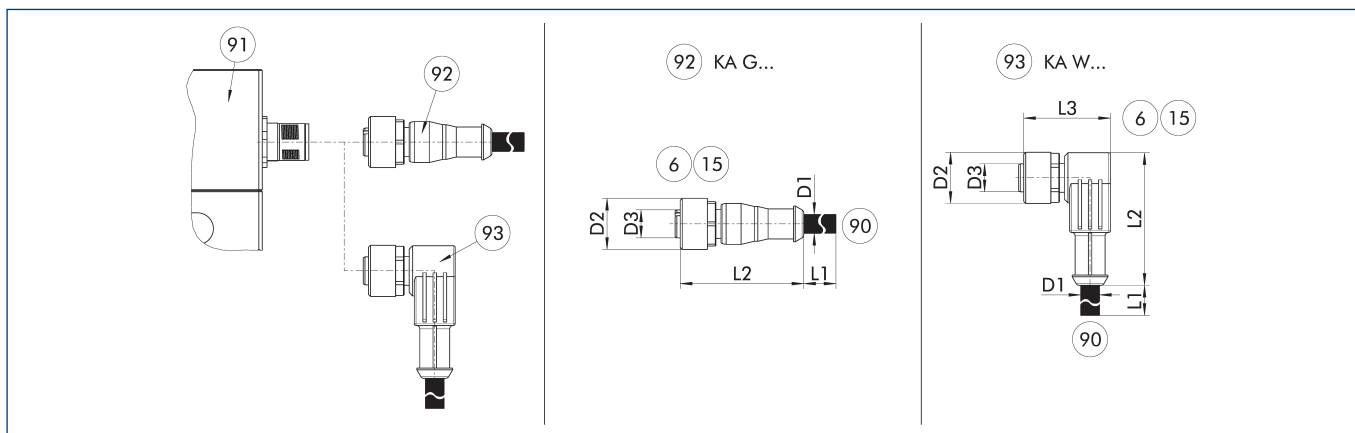
⑥ Connector module side
 ⑭ Connector
 ⑨⑩ Cable ends with second plug connector

The communication cables are suitably assembled for the mechatronic products from SCHUNK and can be used for the PROFINET, EtherNET/IP and EtherCAT communication interfaces. They always have an M8 plug connector on the module side (D-coded, connector). The plug connectors are designed straight (KA G...) or angled (KA W...) on the module side. On the second side, the cables either have a straight M8 plug connector (D-coded, male) or a RJ45 plug connector.

Description	ID	L1	D1	L2	D2	L3	D3
		[m]	[mm]	[mm]	[mm]	[mm]	
Communication cable suitable for drag chain M8 connector, straight – to M12 connector, straight							
KA GGN08D04-12D04-ET-00500-A	1505212	5	6.5	39.4	10		M8
KA GGN08D04-12D04-ET-01000-A	1505224	10	6.5	39.4	10		M8
Communication cable suitable for drag chain M8 connector, straight – to RJ45 connector, straight							
KA GGN08D04-RJ45-ET-00200-A	1511261	2	6.5	39.4	10		M8
KA GGN08D04-RJ45-ET-00500-A	1505217	5	6.5	39.4	10		M8
KA GGN08D04-RJ45-ET-01000-A	1505229	10	6.5	39.4	10		M8
Communication cable suitable for drag chain M8 connector, angled – to M12 connector, straight							
KA WGN08D04-12D04-ET-00500-A	1505213	5	6.5	28	10	25.5	M8
KA WGN08D04-12D04-ET-01000-A	1505227	10	6.5	28	10	25.5	M8
Communication cable suitable for drag chain M8 connector, angled – to RJ45 connector, straight							
KA WGN08D04-RJ45-ET-00500-A	1505219	5	6.5	28	10	25.5	M8
KA WGN08D04-RJ45-ET-01000-A	1505243	10	6.5	28	10	25.5	M8
Communication cable suitable for torsion-resistant M8 connector, straight – to M12 connector, straight							
KAR GGN08D04-12D04-ET-00500-A	1505248	5	6.5	39.4	10		M8
KAR GGN08D04-12D04-ET-01000-A	1505284	10	6.5	39.4	10		M8
Communication cable suitable for torsion-resistant M8 connector, straight – to RJ45 connector, straight							
KAR GGN08D04-RJ45-ET-00500-A	1505269	5	6.5	39.4	10		M8
KAR GGN08D04-RJ45-ET-01000-A	1505303	10	6.5	39.4	10		M8
Communication cable suitable for torsion-resistant M8 connector, angled – to M12 connector, straight							
KAR WGN08D04-12D04-ET-00500-A	1505258	5	6.5	28	10	25.5	M8
KAR WGN08D04-12D04-ET-01000-A	1505289	10	6.5	28	10	25.5	M8
Communication cable suitable for torsion-resistant M8 connector, angled – to RJ45 connector, straight							
KAR WGN08D04-RJ45-ET-00500-A	1505276	5	6.5	28	10	25.5	M8
KAR WGN08D04-RJ45-ET-01000-A	1505305	10	6.5	28	10	25.5	M8

① Please observe the min. bending radius for cable track-compatible cables or the max. torsion angle for torsion-compatible cables. These are generally 10 times the cable diameter or +/- 180°/m. Please refer to the product documentation for information about max. cable length and min. wire cross section.

Connection cable for voltage supply and communication IO-Link



KA G... Connection cable with straight socket
 KA W... Connection cable with angular socket

6 Connection module side
 15 Socket
 90 SAC connection cable with open wire strands

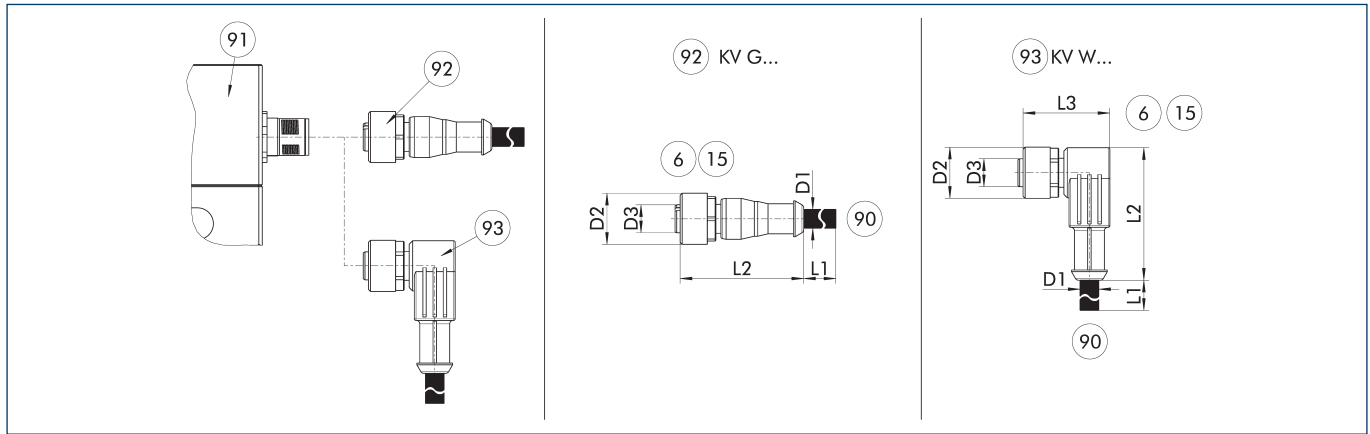
91 Connection plug component
 92 Cable with straight female connector
 93 Cable with angled female connector

The connection cable is ideal for connecting the corresponding components to the control system. The connection cable has a 5-pin M12 socket on one side, and open wire strands on the other side for individual connections. The connection cables are suitable for use both in the cable track as well as in torsion applications.

Description	ID	L1 [m]	D1 [mm]	L2 [mm]	D2 [mm]	L3 [mm]	D3
IO-Link connection cable – drag chain and torsion-compatible							
KA GLN1205-IOL-00500-A	1387207	5	4.8	38	15		M12
KA GLN1205-IOL-01000-A	1387209	10	4.8	38	15		M12
KA WLN1205-IOL-00500-A	1387210	5	4.8	39	15	28	M12
KA WLN1205-IOL-01000-A	1387211	10	4.8	39	15	28	M12

ⓘ Please observe the min. bending radius for cable track-compatible cables or the max. torsion angle for torsion-compatible cables. These are generally 10 times the cable diameter or +/- 180°/m.

Cable extension for voltage supply and communication IO-Link



KV G... Cable extension with straight socket
 KV W... Cable extension with angled socket

6 Connection module side
 15 Socket
 90 Cable end with straight connector

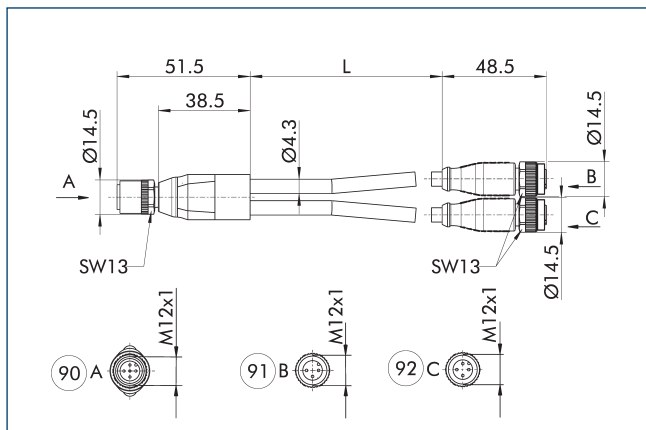
91 Connection plug component
 92 Cable with straight female connector
 93 Cable with angled female connector

The cable extensions are ideal for connecting the relevant components to the control system, or for use as extension cables. The cable extensions have a 5-pin M12 connector with a straight or angled design on the module side and a 5-pin M12 plug with a straight design on the other side. The cable extensions are suitable for use in the cable track and in torsion applications.

Description	ID	L1 [m]	D1 [mm]	L2 [mm]	D2 [mm]	L3 [mm]	D3
IO-Link cable extension – cable track and torsion-compatible							
KV GGN1205-IOL-00200-A	1387195	2	4.8	41	15		M12
KV GGN1205-IOL-00500-A	1387199	5	4.8	41	15		M12
KV WGN1205-IOL-00200-A	1387202	2	4.8	39	15	28	M12
KV WGN1205-IOL-00500-A	1387205	5	4.8	39	15	28	M12

ⓘ Please observe the min. bending radius for cable track-compatible cables or the max. torsion angle for torsion-compatible cables. These are generally 10 times the cable diameter or +/- 180°/m.

Y-distributor for IO-Link for splitting logic and power supply

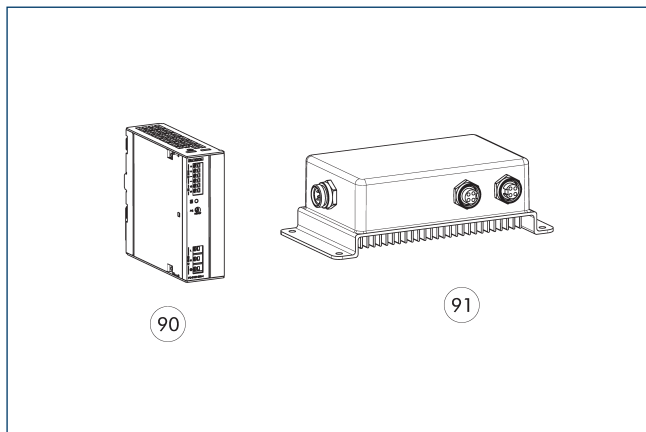


- 90 Grippers
- 91 Logic (IO-Link master)
- 92 Power (24 V power supply)

The Y-distributor enables power to be supplied from a separate voltage source and is recommended when the current consumption of the product exceeds the current output of the IO-Link master. The logic supply and the IO-Link communication continue to run via the IO-Link master. IO-Link masters with port class A or port class B can be used.

Description	ID	Length
		[m]
Y-distributor, M12 socket, straight - on 2xM12 plugs, straight A-coded		
Y-Verteiler M12 5pol. auf 1x M12 3pol.	1523560	0.3

Switched-mode power supply



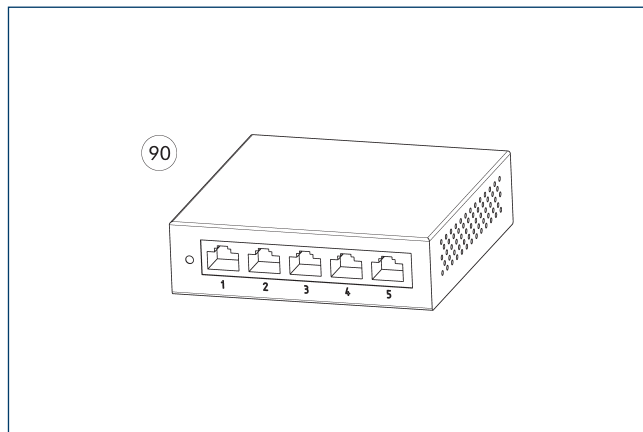
- 90 24 V power supply unit IP2
- 91 24 V power supply unit IP67

The power supply with an output voltage of 24 V and an input voltage range of 100 V – 240 V are matched to the power supply of our SCHUNK products. Whether for mounting in the control cabinet on DIN rail in protection class IP20 or directly in the field in protection class IP67: the power supply units deliver voltage where it is needed. We will be happy to assist you with further selection.

Description	ID	
24 V power supply unit IP2		
BLOCK PC-0124-050-0	31001408	
24 V power supply unit IP67		
TURCK PSU67-12-2480/M	1524336	

For the power supply IP67, there are customizable plug connectors for connection to the power supply unit included in the scope of delivery.

Switch



- 90 Ethernet 5-port switch

The switches enable easy expansion of a high-speed network using wired connections. With the switch, several SCHUNK products can be included in a network and thus controlled via a PLC, for example.

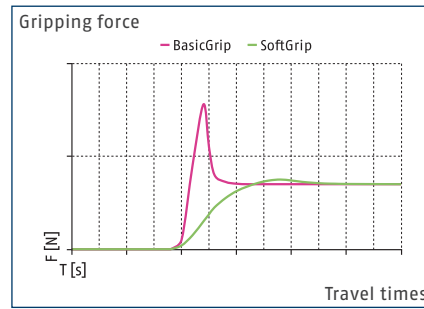
Description	ID	
Ethernet switch		
D-Link DGS-105 5-Port Ethernet Switch	1526496	

EGK 50

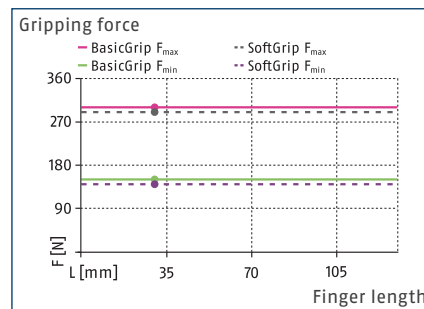
Gripper for small components



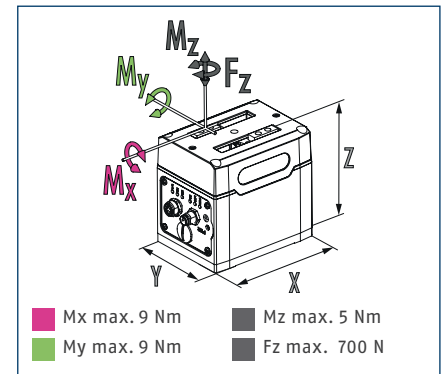
Gripping modes



Gripping force I.D. gripping



Dimensions and maximum loads

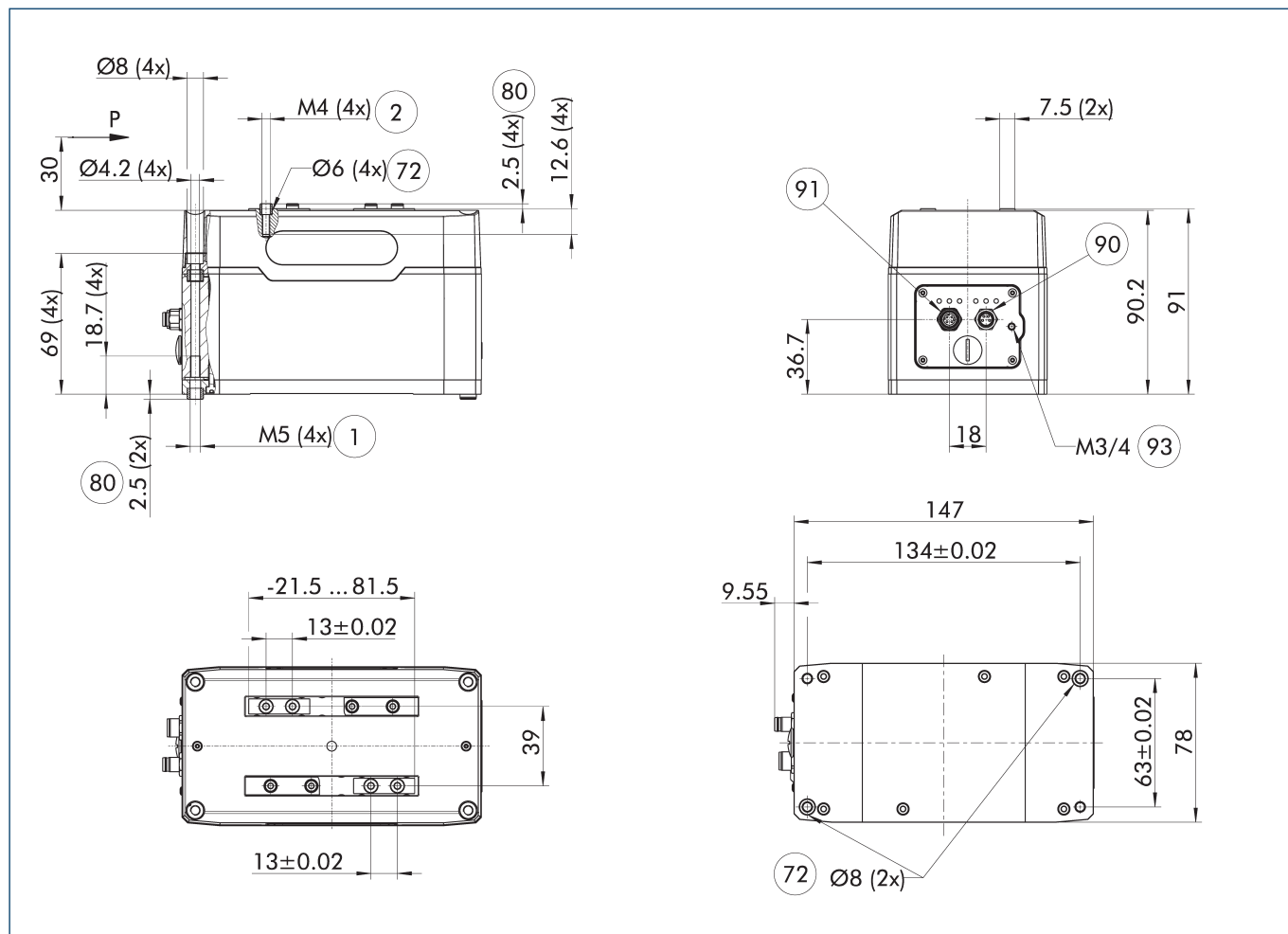


① The indicated moments and forces are static values, apply for each base jaw and may appear simultaneously. Loads may additionally occur to the moment produced by the gripping force itself.

Technical data

Description		EGK 50-PN-M-B	EGK 50-EI-M-B	EGK 50-EC-M-B	EGK 50-IL-M-B	EGK 50-MB-M-B
ID		1491776	1491780	1491784	1491771	1491774
General operating data						
Stroke per jaw	[mm]	51.5	51.5	51.5	51.5	51.5
Min./max. gripping force	[N]	150/300	150/300	150/300	150/300	150/300
Min./max. gripping force maintenance	[%]	75/90	75/90	75/90	75/90	75/90
Max. permissible finger length	[mm]	130	130	130	130	130
Max. permissible weight per finger	[kg]	0.5	0.5	0.5	0.5	0.5
Positioning accuracy	[mm]	±0.3	±0.3	±0.3	±0.3	±0.3
Repeat accuracy (gripping)	[mm]	0.03	0.03	0.03	0.03	0.03
Repeat accuracy (positioning, unidirectional)	[mm]	0.1	0.1	0.1	0.1	0.1
Repeat accuracy (positioning, bi-directional)	[mm]	0.2	0.2	0.2	0.2	0.2
Closing/opening time (positioning, 50% stroke)	[s]	0.54/0.54	0.54/0.54	0.54/0.54	0.54/0.54	0.54/0.54
Max. speed (positioning)	[mm/s]	130	130	130	130	130
Max. acceleration	[mm/s ²]	1000	1000	1000	1000	1000
Weight	[kg]	1.63	1.63	1.63	1.63	1.63
Min./max. ambient temperature	[°C]	5/55	5/55	5/55	5/55	5/55
IP protection class, electronics		67	67	67	67	67
IP protection class guide/base jaws		20	20	20	20	20
Cleanroom class ISO 14644-1:2015		5	5	5	5	5
Electrical operating data						
Nominal voltage	[V]	24	24	24	24	24
Communication interface		PROFINET	EtherNet/IP	EtherCAT	IO-Link	Modbus RTU
Power nominal/max. current consumption	[A]	0.35/0.96	0.35/0.96	0.35/0.96	0.35/0.96	0.35/0.96
Logic nominal/max. current consumption	[A]	0.16/0.2	0.16/0.2	0.16/0.2	0.16/0.2	0.16/0.2
Options and their characteristics						
Version without gripping force maintenance		1491777	1491781	1491785	1491772	1491775
Weight	[kg]	1.59	1.59	1.59	1.59	1.59
Power nominal/max. current consumption	[A]	0.22/0.82	0.22/0.82	0.22/0.82	0.22/0.82	0.22/0.82

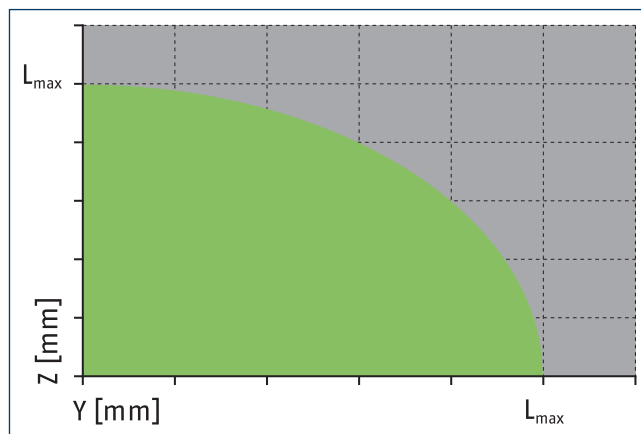
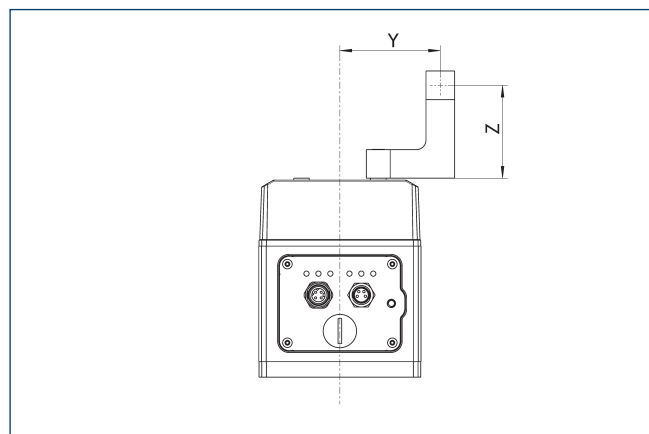
Main view



The drawing shows the gripper in PROFINET, EtherNet/IP or EtherCAT version, with and without gripper force maintenance with opened jaws.

- ① Gripper connection
- ② Finger connection
- ⑦② Fit for centering sleeves
- ⑧② Depth of the centering sleeve hole in the counter part
- ⑨② Voltage supply (M8, connector, 4 pin, A-coded)
- ⑨① Communication (M8, socket, 4 pin, D-coded)
- ⑨③ Functional ground connection

Maximum permitted finger projection



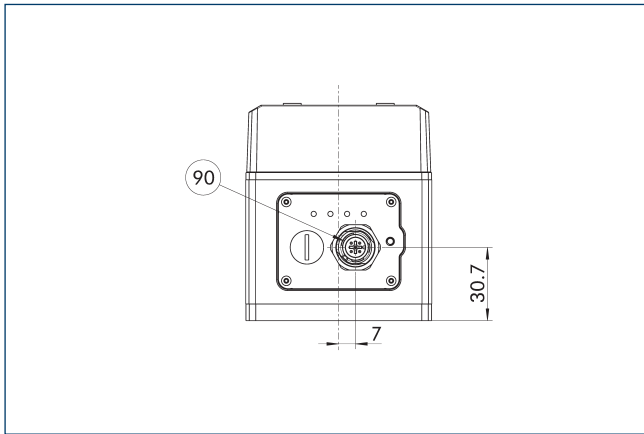
■ Permitted range ■ Inadmissible range

L_{max} is equivalent to the maximum permitted finger length, see the technical data table.

EGK 50

Gripper for small components

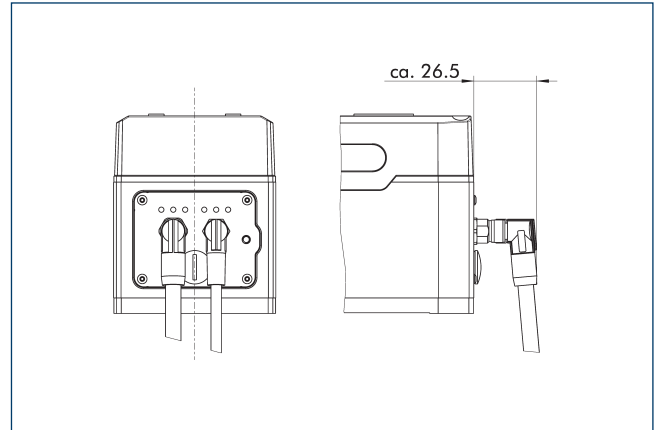
IO-Link and Modbus RTU version



- ⑨ Voltage supply and communication (M12, connector, A-coded, IL: 5 pin, MB: 4 pin)

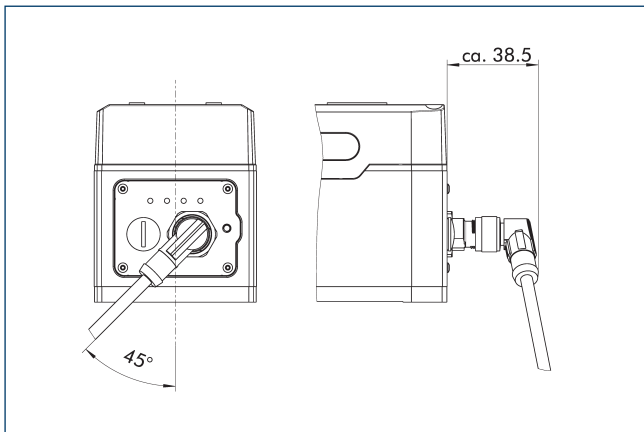
The drawing shows the changes in dimension of the IO-Link and Modbus RTU versions compared to the basic version found in the main view.

Angled plug connectors for PROFINET, EtherNet/IP and EtherCAT version



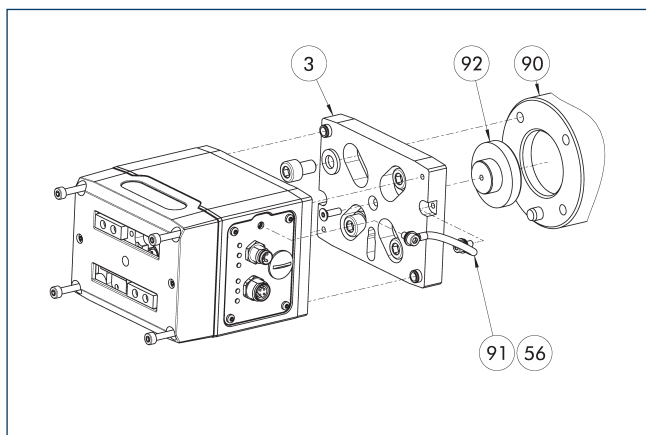
The drawing shows the direction of the cable outlet when using angled connectors. The distance from the plug connector to the gripper housing may vary depending on the cable manufacturer used.

Angled plug connectors for IO-Link and Modbus RTU version



The drawing shows the direction of the cable outlet when using angled connectors. The distance from the plug connector to the gripper housing may vary depending on the cable manufacturer used.

Robot adaptation packages single gripper



- ③ Adapter
- ⑤⑥ Included in the scope of delivery
- ⑨⑩ Robot flange
- ⑨① Cable functional ground
- ⑨② Centering disc

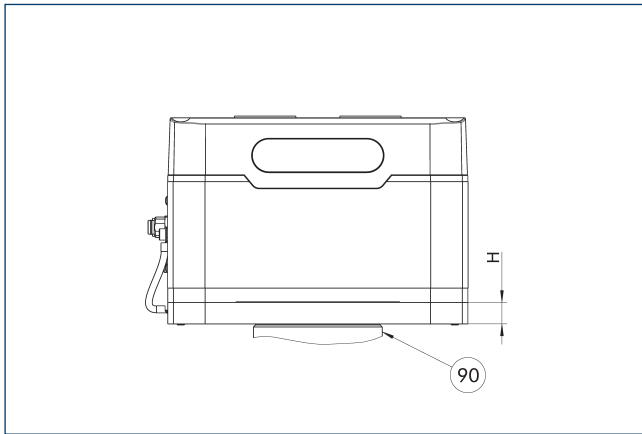
Robot adaptation packages for single grippers contain all components required to mechanically adapt the gripper to the desired robot flange. Depending on the flange pattern, suitable screws, centering pins and the centering collar are included.

Description	ID	Height	DIN ISO-9409 bolt circle	Manufacturer	Model
		[mm]	[mm]		
Adapter					
AKO EGK50/GP7,8	1524741	11		YASKAWA	GP7, GP8
AKO EGK50/ISO31.5	1524731	11	31.5	ABB	IRB1200
AKO EGK50/ISO40	1524734	11	40	ABB	IRB1300
AKO EGK50/ISO50	1524739	11	50	ABB	GoFa CRB15000
AKO EGK50/ISO50	1524739	11	50	FANUC	CRX-5iA, CRX-10iA, CRX-20iA, CRX-25iA
AKO EGK50/ISO50	1524739	11	50	Kassow Robots	
AKO EGK50/ISO50	1524739	11	50	Universal Robots	UR5e, UR10e, UR16e
AKO EGK50/ISO50	1524739	11	50	YASKAWA	HC10DTP, HC20DTP

EGK 50

Gripper for small components

Robot adaptation packages single gripper

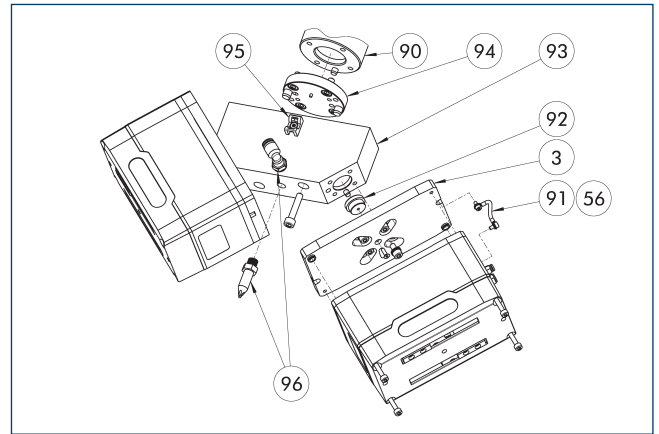


90 Robot flange

The single-piece design enables a flat construction of the entire system. The adapter is manufactured from blank aluminum. The listed robot manufacturers with their associated models constitute useful recommendations taking the total mass into account. SCHUNK nevertheless recommends that the payload of the robot will be considered in detail.

Description	ID	Height	DIN ISO-9409 bolt circle	Manufacturer	Model
		[mm]	[mm]		
Adapter					
AKO EGK50/GP7,8	1524741	11		YASKAWA	GP7, GP8
AKO EGK50/ISO31.5	1524731	11	31.5	ABB	IRB1200
AKO EGK50/ISO40	1524734	11	40	ABB	IRB1300
AKO EGK50/ISO50	1524739	11	50	ABB	GoFa CRB15000
AKO EGK50/ISO50	1524739	11	50	FANUC	CRX-5iA, CRX-10iA, CRX-20iA, CRX-25iA
AKO EGK50/ISO50	1524739	11	50	Kassow Robots	
AKO EGK50/ISO50	1524739	11	50	Universal Robots	UR5e, UR10e, UR16e
AKO EGK50/ISO50	1524739	11	50	YASKAWA	HC10DTP, HC20DTP

Robot adaptation packages double gripper

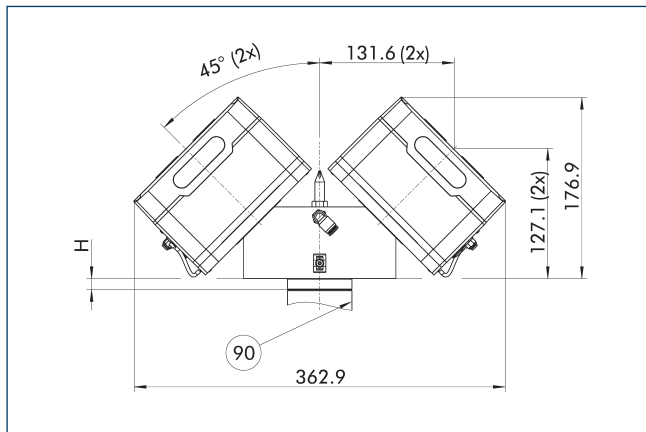


- 3 Adapter
- 56 Included in the scope of delivery
- 90 Robot flange
- 91 Cable functional ground
- 92 Centering collar gripper
- 93 angle adapter
- 94 Adapter robot
- 95 Cable holder (included in the scope of delivery of the cable package)
- 96 Attachment set blow-off nozzle

Robot adaptation packages for double grippers contain all components required to mechanically adapt two grippers to the desired robot flange. Depending on the flange pattern, suitable screws, centering pins and centering material are included in the delivery. A short or long blow-off nozzle can be added as an option.

Description	ID	Height	DIN ISO-9409 bolt circle	Manufacturer	Model
		[mm]	[mm]		
Adapter					
AKO 2xEGK50/GP12	1524787	15.8		YASKAWA	GP12
AKO 2xEGK50/ISO50	1524786	10.8	50	FANUC	CRX-20iA, CRX-25iA
AKO 2xEGK50/ISO50	1524786	10.8	50	Kassow Robots	
AKO 2xEGK50/ISO50	1524786	10.8	50	Universal Robots	UR16e
AKO 2xEGK50/ISO50	1524786	10.8	50	YASKAWA	HC20DTP
Attachment set blow-off nozzle (short)	1524788				

Robot adaptation packages double gripper



90 Robot flange

The adapter is manufactured from blank aluminum. The listed robot manufacturers with their associated models constitute useful recommendations taking the total mass into account. SCHUNK nevertheless recommends that the payload of the robot will be considered in detail.

Description	ID	Height	DIN ISO-9409 bolt circle	Manufacturer	Model
		[mm]	[mm]		
Adapter					
AKO 2xEGK50/GP12	1524787	15.8		YASKAWA	GP12
AKO 2xEGK50/ISO50	1524786	10.8	50	FANUC	CRX-20iA, CRX-25iA
AKO 2xEGK50/ISO50	1524786	10.8	50	Kassow Robots	
AKO 2xEGK50/ISO50	1524786	10.8	50	Universal Robots	UR16e
AKO 2xEGK50/ISO50	1524786	10.8	50	YASKAWA	HC20DTP

EGK 50

Gripper for small components

Robot-specific connection cables

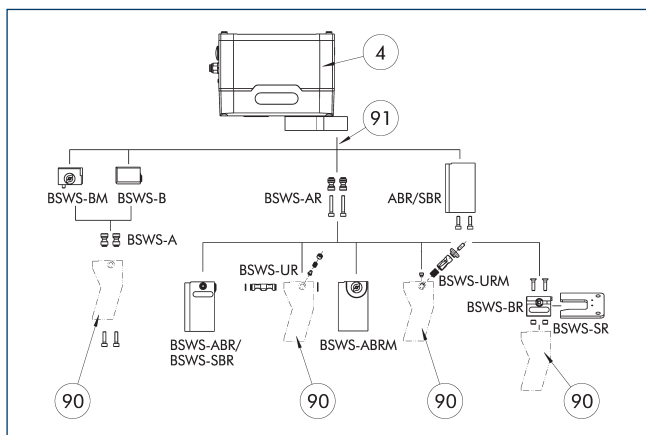


Connection cables and connection cable kits for electrical connection to specific robot models and controllers. Depending on the manufacturer, a direct connection to the tool flange is possible or external cabling is required. In combination with mechanical adapters and software modules, this allows commissioning on the robot to be carried out in just a few steps. Cables for external cable routing are designed to withstand torsion.

Description	ID	Manufacturer	Series	Model	Controller	Connection	Cable length [m]	Interface
Double gripper								
EGK CNK-DG-ABB-OmniCoreC30	1529618	ABB	IRB, CRB		OmniCore C30	Controller, external cable routing	5	EtherNet/IP
EGK CNK-DG-YASKAWA-YRC1000micro	1529623	YASKAWA	GP, HC		YRC1000MICRO	Controller, external cable routing	5	EtherNet/IP
EGU/EGK/EZU CNK-DG-FANUC-CRX	1532241	FANUC	CRX	CRX-5iA, CRX-10iA, CRX-20iA, CRX-25iA	R-30iB Plus Mini	Tool, internal feed-through		Modbus RTU
EGU/EGK/EZU CNK-DG-KR-Gen2	1620285	Kassow Robots	KR Series, Edge Edition (Gen2)	KR810, KR1018, KR1205, KR1410, KR1805		Tool, internal feed-through		Modbus RTU
EGU/EGK/EZU CNK-DG-UR-eSeries	1532238	Universal Robots	e-Series	UR3e, UR5e, UR10e, UR16e	CB5	Tool, internal feed-through		Modbus RTU
Single gripper								
EGK CNK-SG-ABB-OmniCoreC30	1529617	ABB	IRB, CRB		OmniCore C30	Controller, external cable routing	5	EtherNet/IP
EGK CNK-SG-YASKAWA-YRC1000micro	1529622	YASKAWA	GP, HC		YRC1000MICRO	Controller, external cable routing	5	EtherNet/IP
EGU/EGK/EZU CNK-SG-FANUC-CRX	1532240	FANUC	CRX	CRX-5iA, CRX-10iA, CRX-20iA, CRX-25iA	R-30iB Plus Mini	Tool, internal feed-through		Modbus RTU
EGU/EGK/EZU CNK-SG-KR-Gen2	1620284	Kassow Robots	KR Series, Edge Edition (Gen2)	KR810, KR1018, KR1205, KR1410, KR1805		Tool, internal feed-through		Modbus RTU
EGU/EGK/EZU CNK-SG-UR-eSeries	1532237	Universal Robots	e-Series	UR3e, UR5e, UR10e, UR16e	CB5	Tool, internal feed-through		Modbus RTU

ⓘ The performance data of the robot must be taken into account. SCHUNK also recommends the use of a suitable strain relief.

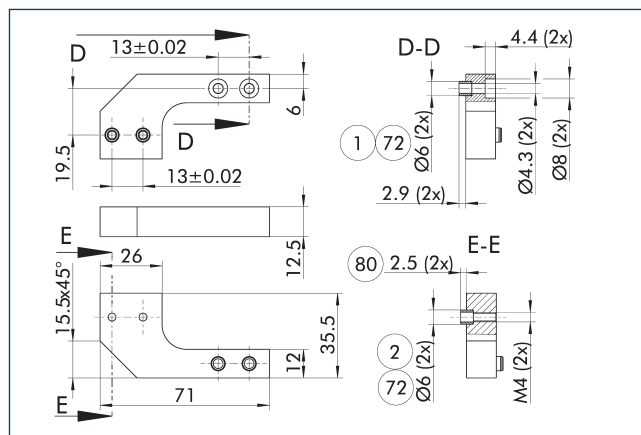
BSWS jaw quick-change jaw systems



- ④ Grippers
- ⑨① Intermediate jaw
- ⑨① Customized gripper fingers

There are various jaw quick-change systems available for the gripper. For detailed information, please refer to the corresponding product.

Intermediate jaw ZBA-EGK 50

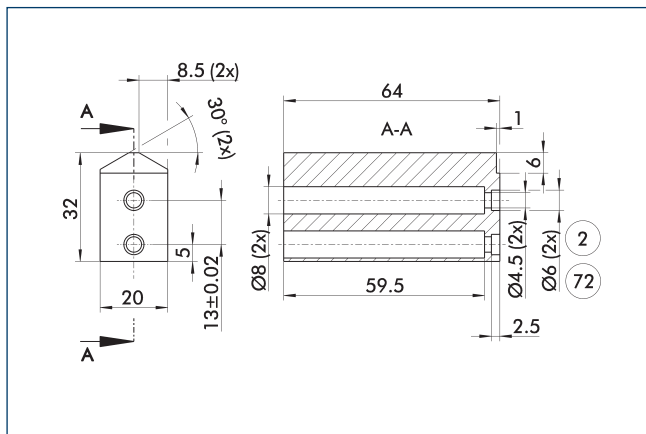


- ① Gripper connection
- ② Finger connection
- ⑦② Fit for centering sleeves
- ⑧① Depth of the centering sleeve hole in the counter part

The intermediate jaws offset the side offset of the base jaws in the Y direction and enable an aligned connection. During use, the interface of the base jaws corresponds to that of the universal gripper PGN-plus-P. This means that the extensive range of finger accessories for the PGN-plus-P can also be used for this gripper, taking into account the interfering contours, and the application limits that apply.

Description	ID	Material	Scope of delivery
Intermediate jaw			
ZBA EGK 50	1504618	Aluminum	2

Finger blanks ABR/SBR-PGZN-plus 64



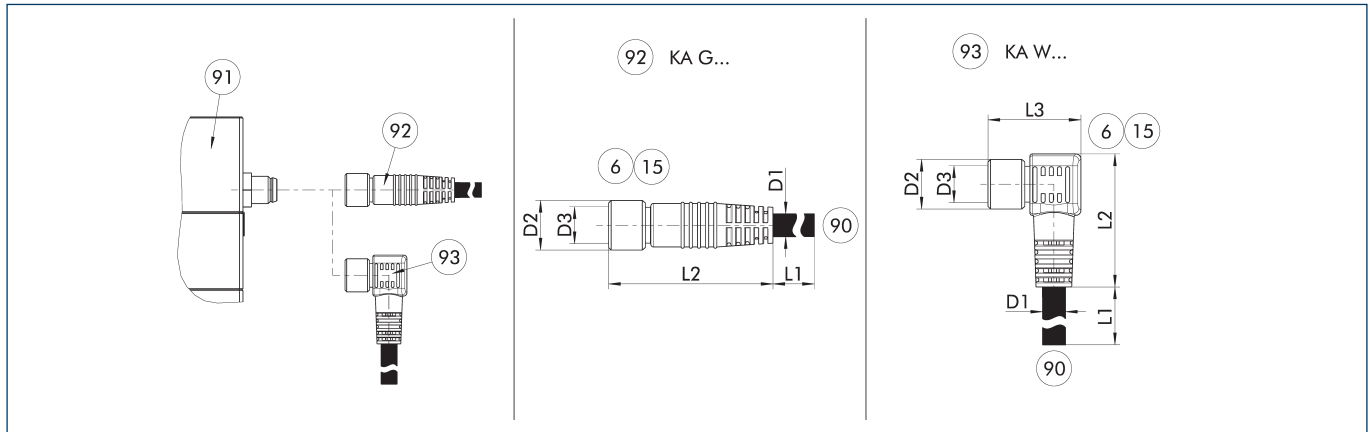
- ② Finger connection
- ⑦② Fit for centering sleeves

The drawing shows the finger blank which can be reworked by the customer.

Description	ID	Material	Scope of delivery
Finger blank			
ABR-PGZN-plus 64	0300010	Aluminum (3.4365)	1
SBR-PGZN-plus 64	0300020	Steel (1.7131)	1

① When finger blanks are used, the closing stroke of individual gripper series may be limited. Please check this in detail in advance using the CAD data and adjust the reworking of the fingers accordingly.

Voltage supply/signals connection cable



KA G... Connection cable with straight socket
 KA W... Connection cable with angular socket

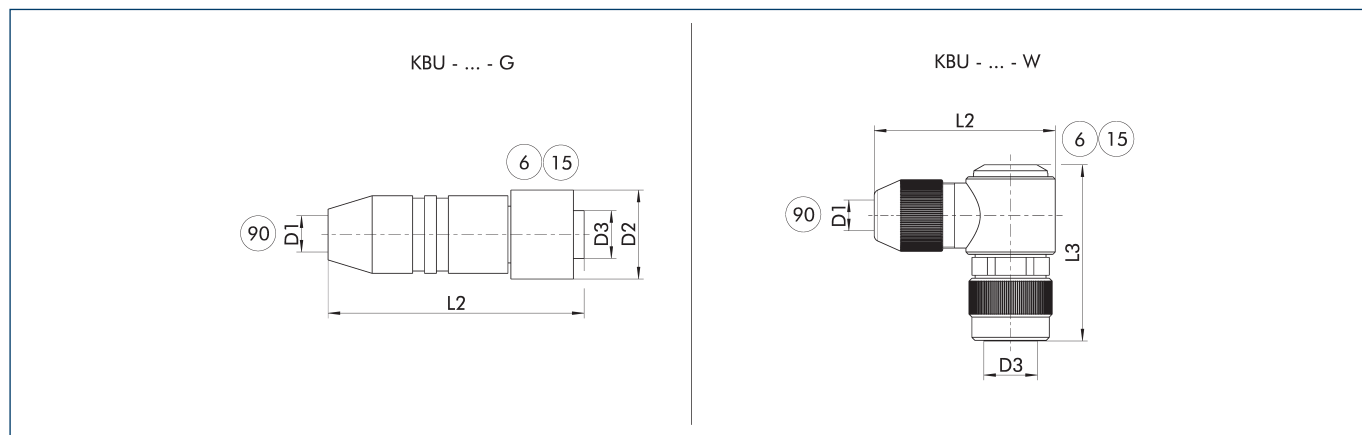
- ⑥ Connection module side
- ⑬ Socket
- ⑨① Connection plug component
- ⑨② Cable with straight female connector
- ⑨③ Cable with angled female connector
- ⑨④ SAC connection cable with open wire strands

The connection cable is ideal for connecting the corresponding components to the controller or the power supply unit. The connection cable has a 4-pin M8 socket on one side and an open wire strand on the other side for individual connections. The connection cables are suitable for use both in the cable track as well as in torsion applications.

Description	ID	L1 [m]	D1 [mm]	L2 [mm]	D2 [mm]	L3 [mm]	D3
Voltage supply/signals connection cable - drag chain and torsion resistant, M8 socket, straight							
KA GLN0804-10-00200-A	1310371	2	4.8	33.7	10		M8
KA GLN0804-10-00500-A	1310375	5	4.8	33.7	10		M8
KA GLN0804-10-01000-A	1310379	10	4.8	33.7	10		M8
KA GLN0804-10-02000-A	1442994	20	4.5	32	10		M8
Voltage supply/signals connection cable - drag chain and torsion resistant, M8 socket, angled							
KA WLN0804-10-00200-A	1310372	2	4.8	27.9	10	18.9	M8
KA WLN0804-10-00500-A	1310376	5	4.8	27.9	10	18.9	M8
KA WLN0804-10-01000-A	1310381	10	4.8	27.9	10	18.9	M8
KA WLN0804-10-02000-A	1442996	20	4.5	25	10	20	M8

① Please observe the min. bending radius for cable track-compatible cables or the max. torsion angle for torsion-compatible cables. These are generally 10 times the cable diameter or +/- 180°/m.

Plug-in connector power supply/signals



KBU - ... - G Socket with straight outlet
 KBU - ... - W Socket with angular outlet

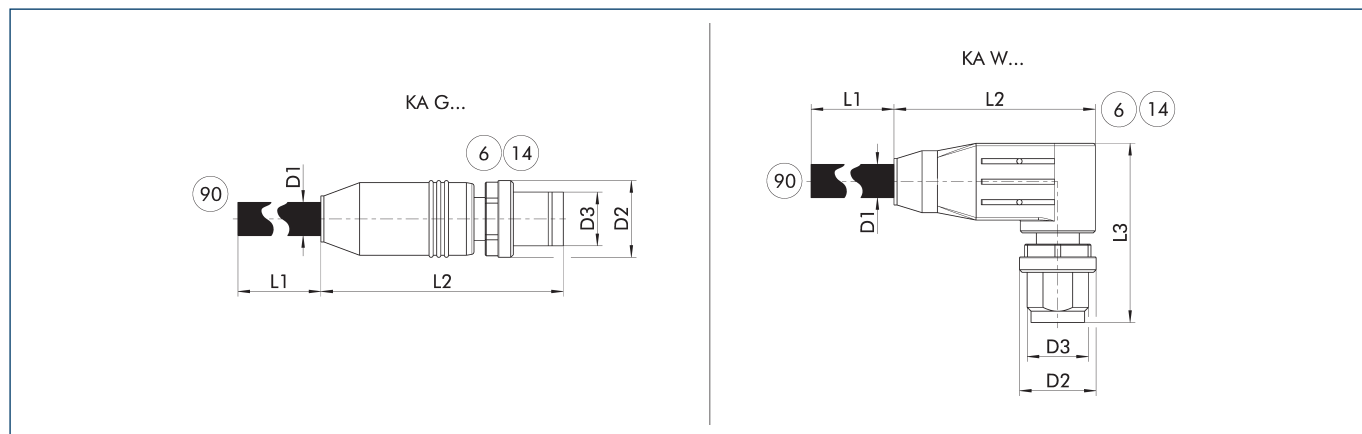
6 Connection module side
 15 Socket
 90 D1 - max. diameter connection cable

The plug connectors are used to connect the SCHUNK products to the voltage supply. A customer cable can be used for this. The individual wire strands can be soldered to the solder pins of the connector.

Description	ID	D1 (max.) [mm]	L2 [mm]	D2 [mm]	L3 [mm]	D3
Cable connector						
KBU-M8-G 4P	1506418	5	37	12		M8
KBU-M8-W 4P	1506422	5	25		28	M8

① For the connection cable, a cross-section for each individual wire strand of 0.25 mm² is recommended. Please refer to the product documentation for information about max. cable length and min. wire cross section.

Connection cable communication PROFINET, EtherNet/IP and EtherCAT



KA G... Straight plug connector
 KA W... Angular plug connector

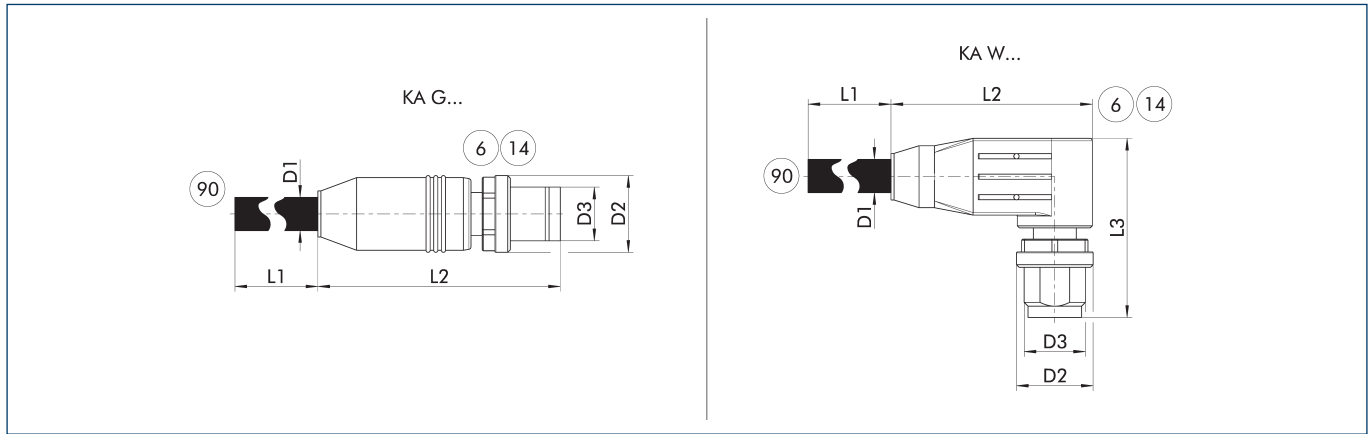
6 Connection module side
 14 Connector
 90 Cable ends with second plug connector

The communication cables are suitably assembled for the mechatronic products from SCHUNK and can be used for the PROFINET, EtherNET/IP and EtherCAT communication interfaces. They always have an M12 plug connector on the module side (D-coded, connector). The plug connectors are designed straight (KA G...) or angled (KA W...) on the module side. On the second side, the cables either have a straight M12 plug connector (D-coded, connector) or an RJ45 plug connector.

Description	ID	L1 [m]	D1 [mm]	L2 [mm]	D2 [mm]	D3
EtherCAT connection cable star distributor M12 D-coded socket, straight; on M8 A-coded connector, straight						
KA GGN12D04-08A04-ET-00020-A	1521990	0.2	6.5	47.3	14.8	M12

① Please observe the min. bending radius for cable track-compatible cables or the max. torsion angle for torsion-compatible cables. These are generally 10 times the cable diameter or +/- 180°/m.

Connection cable communication PROFINET, EtherNet/IP and EtherCAT



KA G... Straight plug connector
 KA W... Angular plug connector

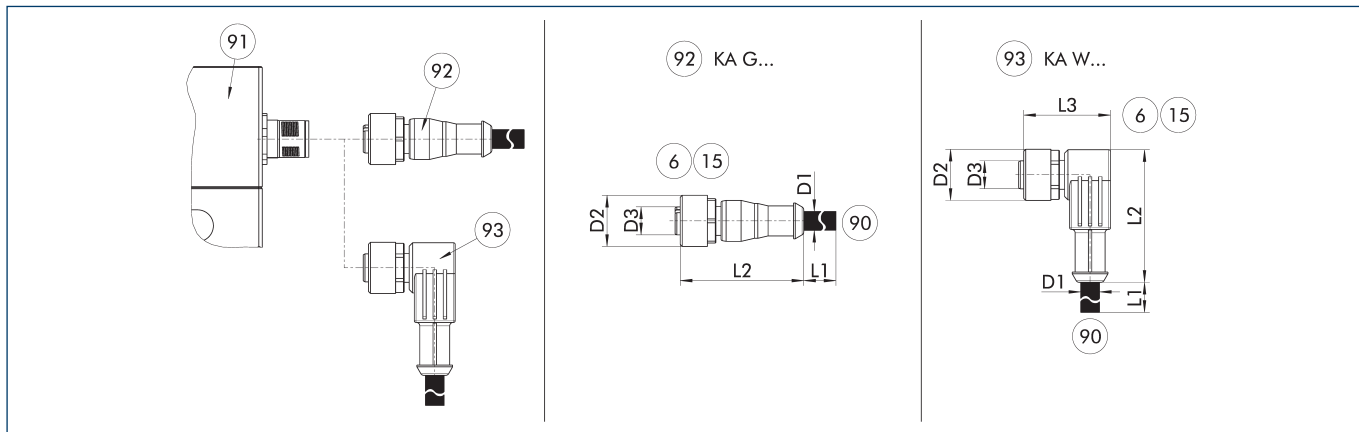
⑥ Connector module side
 ⑭ Connector
 ⑨⑩ Cable ends with second plug connector

The communication cables are suitably assembled for the mechatronic products from SCHUNK and can be used for the PROFINET, EtherNET/IP and EtherCAT communication interfaces. They always have an M8 plug connector on the module side (D-coded, connector). The plug connectors are designed straight (KA G...) or angled (KA W...) on the module side. On the second side, the cables either have a straight M8 plug connector (D-coded, male) or a RJ45 plug connector.

Description	ID	L1	D1	L2	D2	L3	D3
		[m]	[mm]	[mm]	[mm]	[mm]	
Communication cable suitable for drag chain M8 connector, straight – to M12 connector, straight							
KA GGN08D04-12D04-ET-00500-A	1505212	5	6.5	39.4	10		M8
KA GGN08D04-12D04-ET-01000-A	1505224	10	6.5	39.4	10		M8
Communication cable suitable for drag chain M8 connector, straight – to RJ45 connector, straight							
KA GGN08D04-RJ45-ET-00200-A	1511261	2	6.5	39.4	10		M8
KA GGN08D04-RJ45-ET-00500-A	1505217	5	6.5	39.4	10		M8
KA GGN08D04-RJ45-ET-01000-A	1505229	10	6.5	39.4	10		M8
Communication cable suitable for drag chain M8 connector, angled – to M12 connector, straight							
KA WGN08D04-12D04-ET-00500-A	1505213	5	6.5	28	10	25.5	M8
KA WGN08D04-12D04-ET-01000-A	1505227	10	6.5	28	10	25.5	M8
Communication cable suitable for drag chain M8 connector, angled – to RJ45 connector, straight							
KA WGN08D04-RJ45-ET-00500-A	1505219	5	6.5	28	10	25.5	M8
KA WGN08D04-RJ45-ET-01000-A	1505243	10	6.5	28	10	25.5	M8
Communication cable suitable for torsion-resistant M8 connector, straight – to M12 connector, straight							
KAR GGN08D04-12D04-ET-00500-A	1505248	5	6.5	39.4	10		M8
KAR GGN08D04-12D04-ET-01000-A	1505284	10	6.5	39.4	10		M8
Communication cable suitable for torsion-resistant M8 connector, straight – to RJ45 connector, straight							
KAR GGN08D04-RJ45-ET-00500-A	1505269	5	6.5	39.4	10		M8
KAR GGN08D04-RJ45-ET-01000-A	1505303	10	6.5	39.4	10		M8
Communication cable suitable for torsion-resistant M8 connector, angled – to M12 connector, straight							
KAR WGN08D04-12D04-ET-00500-A	1505258	5	6.5	28	10	25.5	M8
KAR WGN08D04-12D04-ET-01000-A	1505289	10	6.5	28	10	25.5	M8
Communication cable suitable for torsion-resistant M8 connector, angled – to RJ45 connector, straight							
KAR WGN08D04-RJ45-ET-00500-A	1505276	5	6.5	28	10	25.5	M8
KAR WGN08D04-RJ45-ET-01000-A	1505305	10	6.5	28	10	25.5	M8

① Please observe the min. bending radius for cable track-compatible cables or the max. torsion angle for torsion-compatible cables. These are generally 10 times the cable diameter or +/- 180°/m. Please refer to the product documentation for information about max. cable length and min. wire cross section.

Connection cable for voltage supply and communication IO-Link



KA G... Connection cable with straight socket
 KA W... Connection cable with angular socket

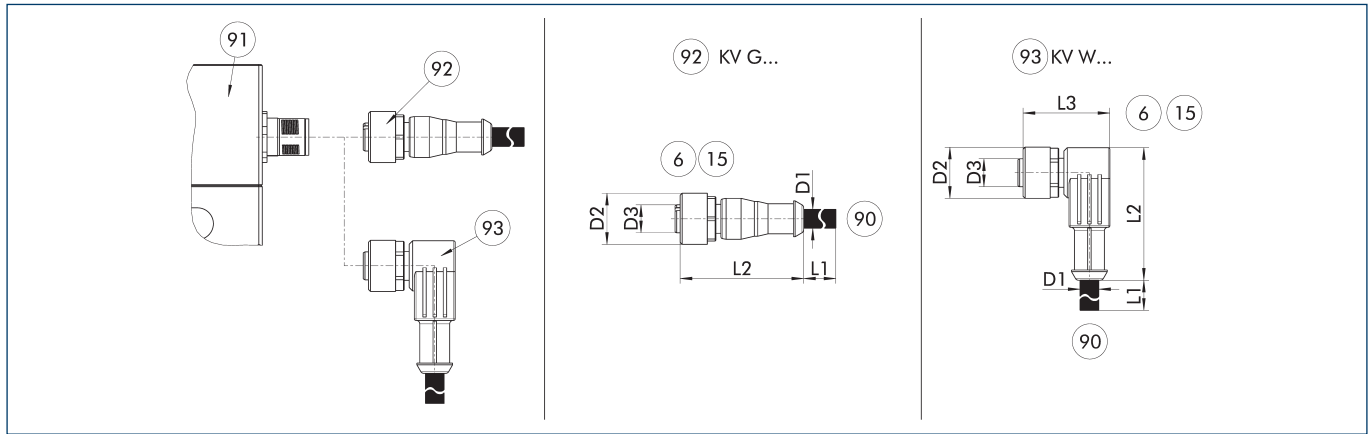
- ⑥ Connection module side
- ⑬ Socket
- ⑨⑩ SAC connection cable with open wire strands
- ⑨① Connection plug component
- ⑨② Cable with straight female connector
- ⑨③ Cable with angled female connector

The connection cable is ideal for connecting the corresponding components to the control system. The connection cable has a 5-pin M12 socket on one side, and open wire strands on the other side for individual connections. The connection cables are suitable for use both in the cable track as well as in torsion applications.

Description	ID	L1 [m]	D1 [mm]	L2 [mm]	D2 [mm]	L3 [mm]	D3
IO-Link connection cable – drag chain and torsion-compatible							
KA GLN1205-IOL-00500-A	1387207	5	4.8	38	15		M12
KA GLN1205-IOL-01000-A	1387209	10	4.8	38	15		M12
KA WLN1205-IOL-00500-A	1387210	5	4.8	39	15	28	M12
KA WLN1205-IOL-01000-A	1387211	10	4.8	39	15	28	M12

① Please observe the min. bending radius for cable track-compatible cables or the max. torsion angle for torsion-compatible cables. These are generally 10 times the cable diameter or +/- 180°/m.

Cable extension for voltage supply and communication IO-Link



KV G... Cable extension with straight socket
 KV W... Cable extension with angled socket

6 Connection module side
 15 Socket
 90 Cable end with straight connector

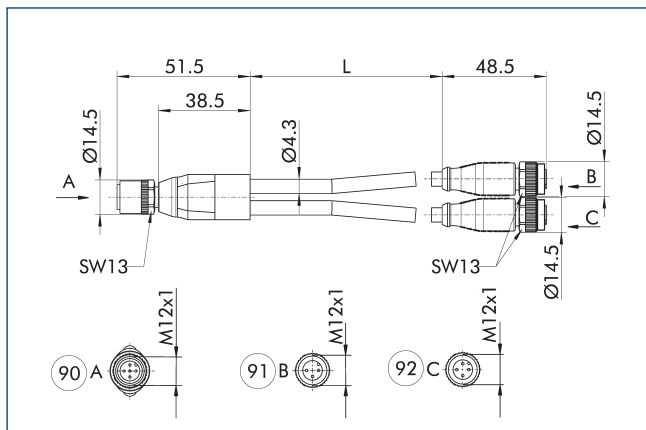
91 Connection plug component
 92 Cable with straight female connector
 93 Cable with angled female connector

The cable extensions are ideal for connecting the relevant components to the control system, or for use as extension cables. The cable extensions have a 5-pin M12 connector with a straight or angled design on the module side and a 5-pin M12 plug with a straight design on the other side. The cable extensions are suitable for use in the cable track and in torsion applications.

Description	ID	L1 [m]	D1 [mm]	L2 [mm]	D2 [mm]	L3 [mm]	D3
IO-Link cable extension – cable track and torsion-compatible							
KV GGN1205-IOL-00200-A	1387195	2	4.8	41	15		M12
KV GGN1205-IOL-00500-A	1387199	5	4.8	41	15		M12
KV WGN1205-IOL-00200-A	1387202	2	4.8	39	15	28	M12
KV WGN1205-IOL-00500-A	1387205	5	4.8	39	15	28	M12

ⓘ Please observe the min. bending radius for cable track-compatible cables or the max. torsion angle for torsion-compatible cables. These are generally 10 times the cable diameter or +/- 180°/m.

Y-distributor for IO-Link for splitting logic and power supply

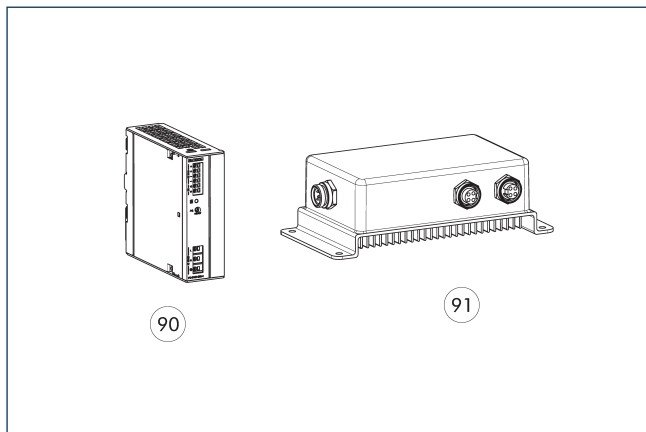


- 90 Grippers
- 91 Logic (IO-Link master)
- 92 Power (24 V power supply)

The Y-distributor enables power to be supplied from a separate voltage source and is recommended when the current consumption of the product exceeds the current output of the IO-Link master. The logic supply and the IO-Link communication continue to run via the IO-Link master. IO-Link masters with port class A or port class B can be used.

Description	ID	Length
		[m]
Y-distributor, M12 socket, straight - on 2xM12 plugs, straight A-coded		
Y-Verteiler M12 5pol. auf 1x M12 3pol.	1523560	0.3

Switched-mode power supply



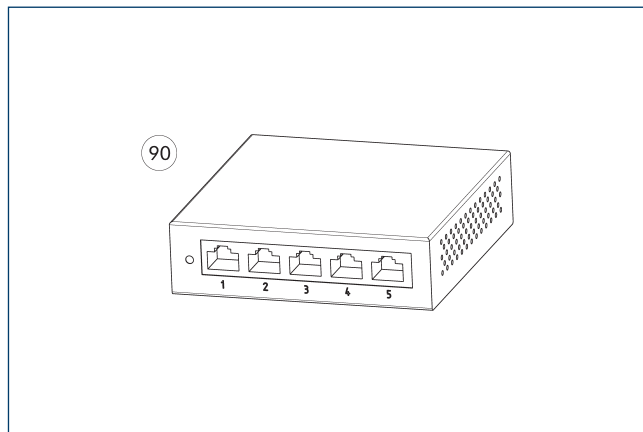
- 90 24 V power supply unit IP2
- 91 24 V power supply unit IP67

The power supply with an output voltage of 24 V and an input voltage range of 100 V – 240 V are matched to the power supply of our SCHUNK products. Whether for mounting in the control cabinet on DIN rail in protection class IP20 or directly in the field in protection class IP67: the power supply units deliver voltage where it is needed. We will be happy to assist you with further selection.

Description	ID	
24 V power supply unit IP2		
BLOCK PC-0124-050-0	31001408	
24 V power supply unit IP67		
TURCK PSU67-12-2480/M	1524336	

① For the power supply IP67, there are customizable plug connectors for connection to the power supply unit included in the scope of delivery.

Switch



- 90 Ethernet 5-port switch

The switches enable easy expansion of a high-speed network using wired connections. With the switch, several SCHUNK products can be included in a network and thus controlled via a PLC, for example.

Description	ID	
Ethernet switch		
D-Link DGS-105 5-Port Ethernet Switch	1526496	



SCHUNK GmbH & Co. KG
Spann- und Greiftechnik

Bahnhofstr. 106 - 134
D-74348 Lauffen/Neckar
Tel. +49-7133-103-0
Fax +49-7133-103-2399
info@de.schunk.com
schunk.com

Folgen Sie uns | *Follow us*

